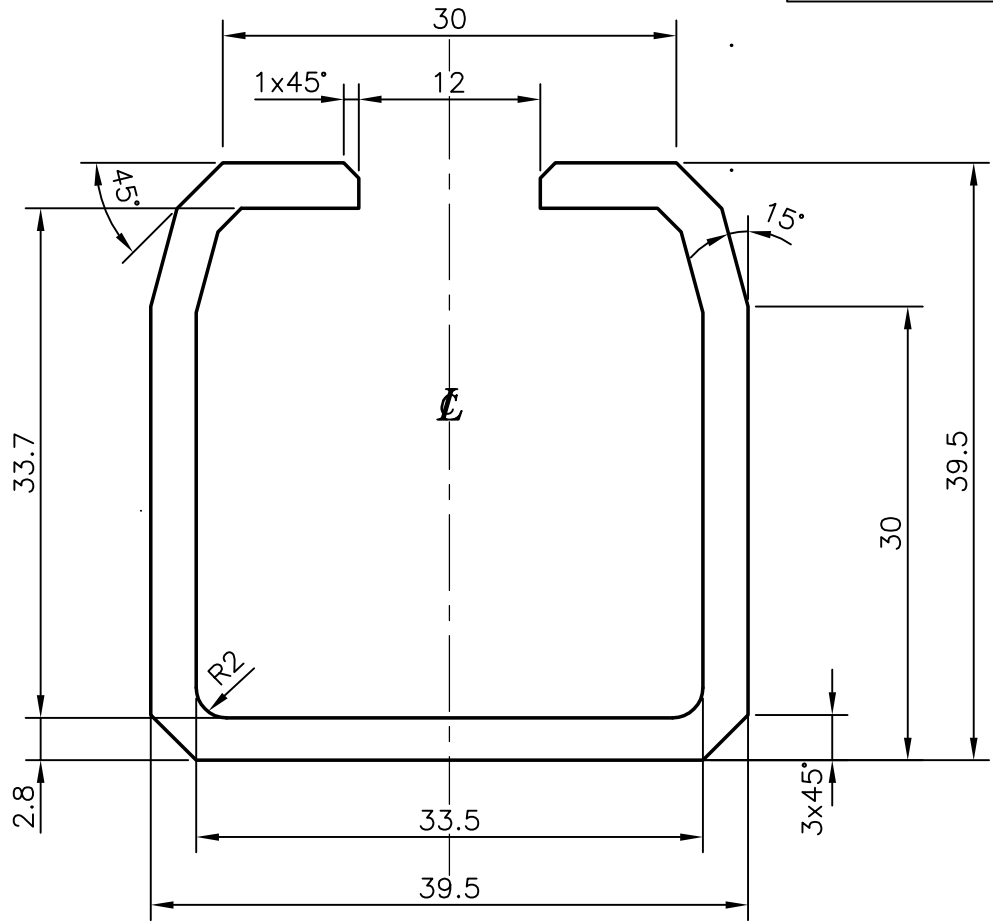
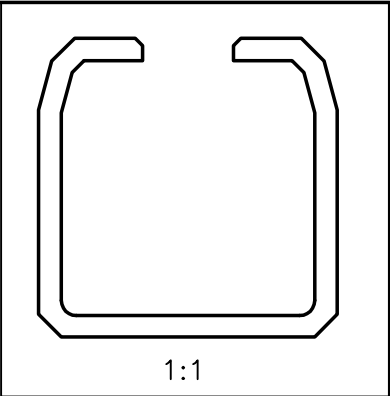


3927  
17546



GENERAL WALL THICKNESS:- 3.00 mm.,  
UNLESS OTHERWISE SPECIFIED

<b>JINDAL ALUMINIUM LTD.</b> <b>BANGALORE-560073</b>			NAME	DATE
		DRAWN	R.D.Sharma	04-06-98
1. ALL DIMENSIONS ARE IN mm. 2. ROUND OFF ALL SHARP CORNERS WITH 0.4 mm. 3. TOLERANCES WILL BE AS PER IS: 3965-1981 ,UNLESS OTHERWISE SPECIFIED		CHECKED		
		APPROVED		
		SCALE	2:1	
PARTY'S NAME	GENERAL CATEGORY	WEIGHT kg/m	1.000	
PARTY'S DRAWING No.	NIL	SECTION No.	17546	
ALLOY & TEMPER	HE9 WP	DRAWING No.	17546	
LENGTH	3658 mm.			
DESCRIPTION	MISCELLANEOUS CHANNEL			