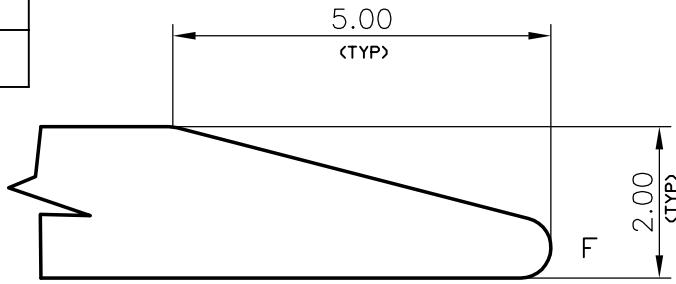
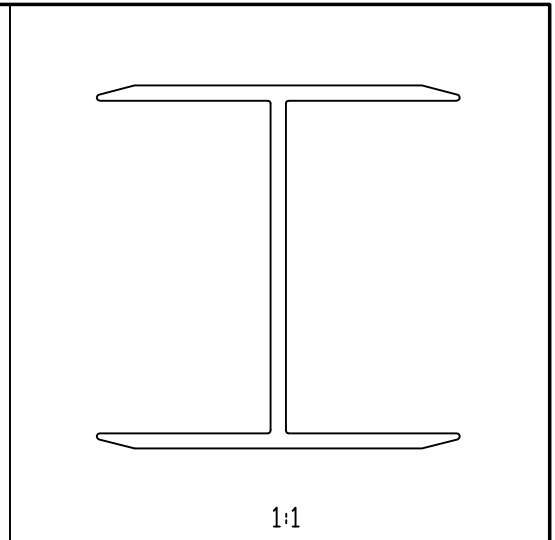


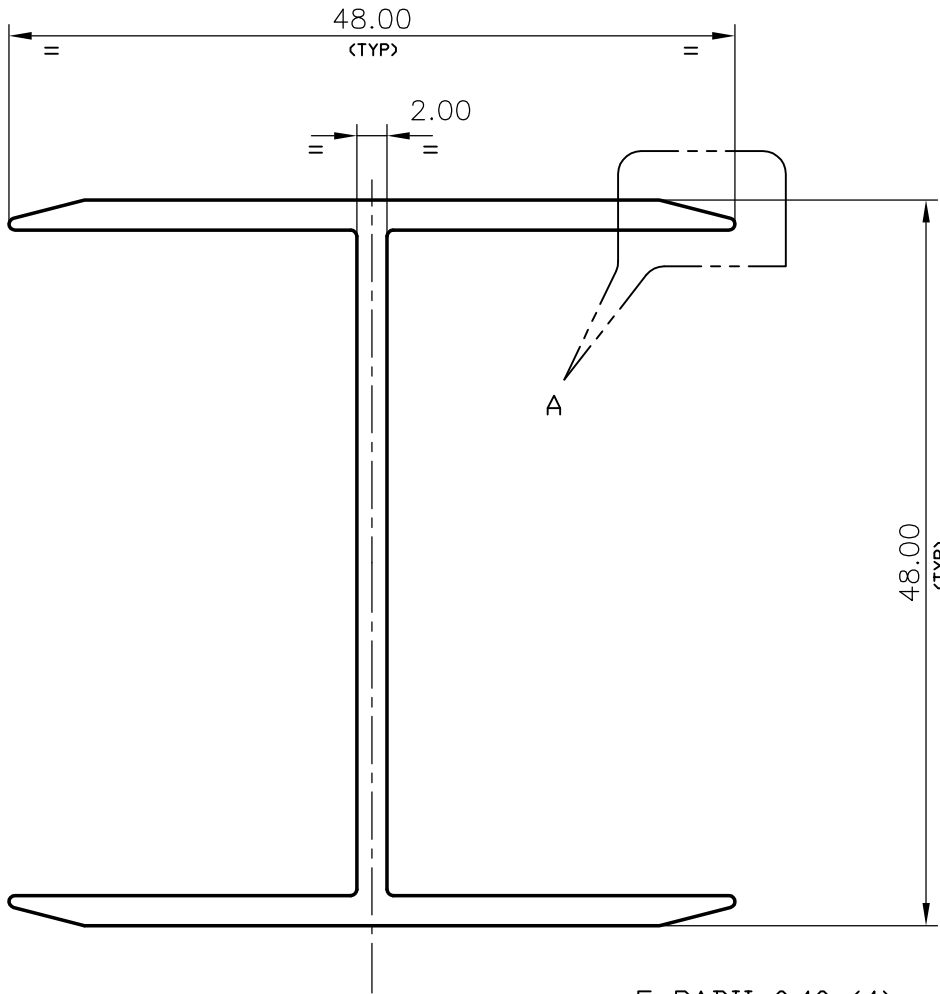
3932
17550
-



DETAILS A
10:1



1:1



F=RADII 0.40 (4)
GENERAL WALL THICKNESS = 2.00 mm

JINDAL ALUMINIUM LTD.
BANGALORE-560073

	NAME	DATE
DRAWN	P,KULKARNI	9-3-99
CHECKED		
APPROVED		
SCALE	2:1	
WEIGHT kg/m	0.720	
SECTION No.	17550	
DRAWING No.	17550	

1. ALL DIMENSIONS ARE IN mm.
2. ROUND OFF ALL SHARP CORNERS WITH 0.4 mm.
3. TOLERANCES WILL BE AS PER IS:3965-1981 ,UNLESS OTHERWISE SPECIFIED

PARTY'S NAME	GENERAL CATEGORY (DELHI MARKET)
PARTY'S DRAWING No.	AS PER SKETCH
ALLOY & TEMPER	HE9 WP
LENGTH	4267 mm. (14')
DESCRIPTION	STRUCTURAL MISCELLANEOUS