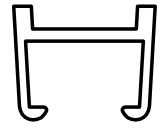


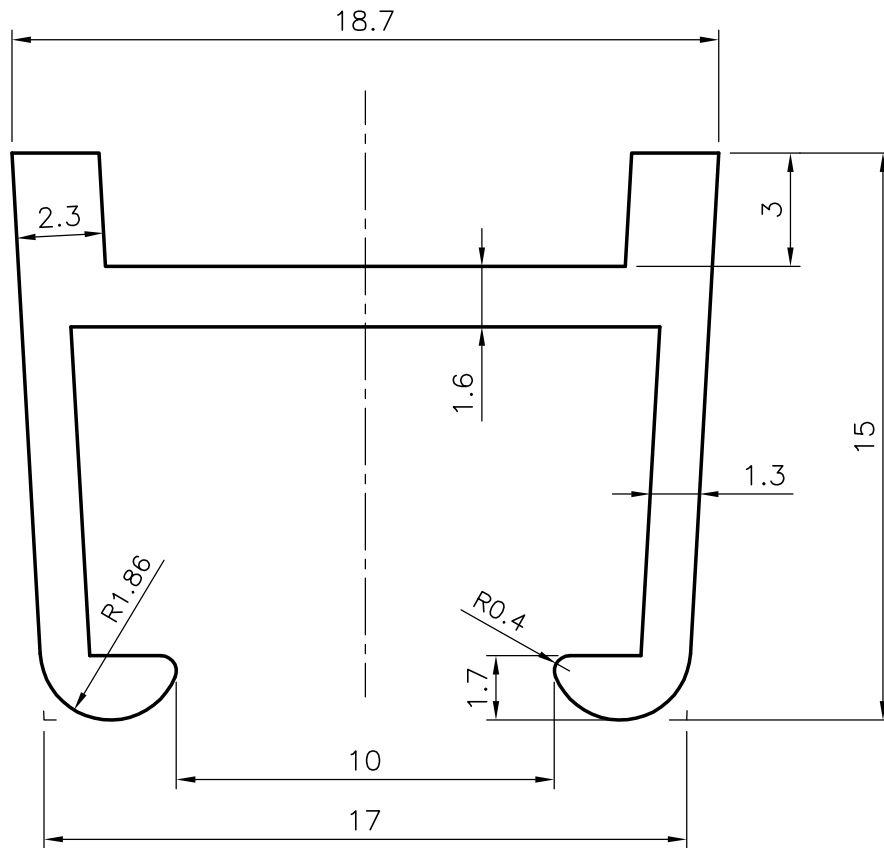
P-3696

3973

17574



SCALE 1:1



SYMBOL OF QUALITY
AN ISO 9002 COMPANY

JINDAL ALUMINIUM LTD.
BANGALORE-560073 (INDIA)

	NAME	DATE
DRAWN	RAGHAVENDRA	20-12-01
CHECKED		
APPROVED		

1. ALL DIMENSIONS ARE IN mm.
2. ROUND OFF ALL SHARP CORNERS WITH 0.40 mm.
3. TOLERANCES WILL BE AS PER IS 3965-1981 UNLESS OTHERWISE SPECIFIED

SCALE	5:1 & 1:1
WEIGHT kg/m	0.203
PERIMETER	99.26mm
SECTION No.	17574
DRAWING No.	17574

PARTY'S NAME	GENERAL CATEGORY DELHI MARKET
PARTY'S DRAWING No.	AS PER SKETCH & SAMPLE
ALLOY & TEMPER	HE9 WP
DESCRIPTION	MISC CHANNEL