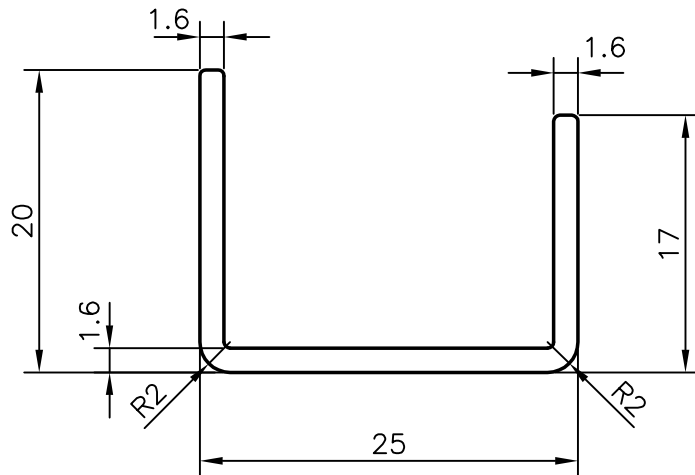
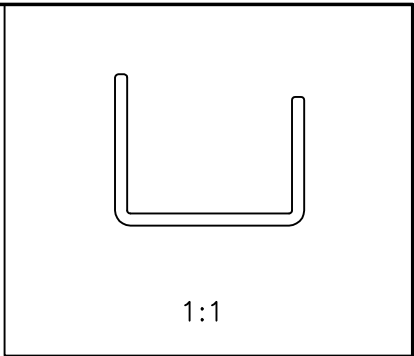


8585
17603



JINDAL ALUMINIUM LTD. <i>BANGALORE-560073</i>		NAME	DATE
		DRAWN	R.D.Sharma 08-06-1999
1. ALL DIMENSIONS ARE IN mm. 2. ROUND OFF ALL SHARP CORNERS WITH 0.4 mm. 3. TOLERANCES WILL BE AS PER IS: 3965-1981 ,UNLESS OTHERWISE SPECIFIED		CHECKED	
		APPROVED	
		SCALE	2:1
PARTY'S NAME	—	WEIGHT kg/m	0.249
PARTY'S DRAWING No.	—	SECTION No.	17603
ALLOY & TEMPER	HE9 WP	DRAWING No.	17603
LENGTH	3658 mm.		
DESCRIPTION	MISCELLANEOUS CHANNEL		