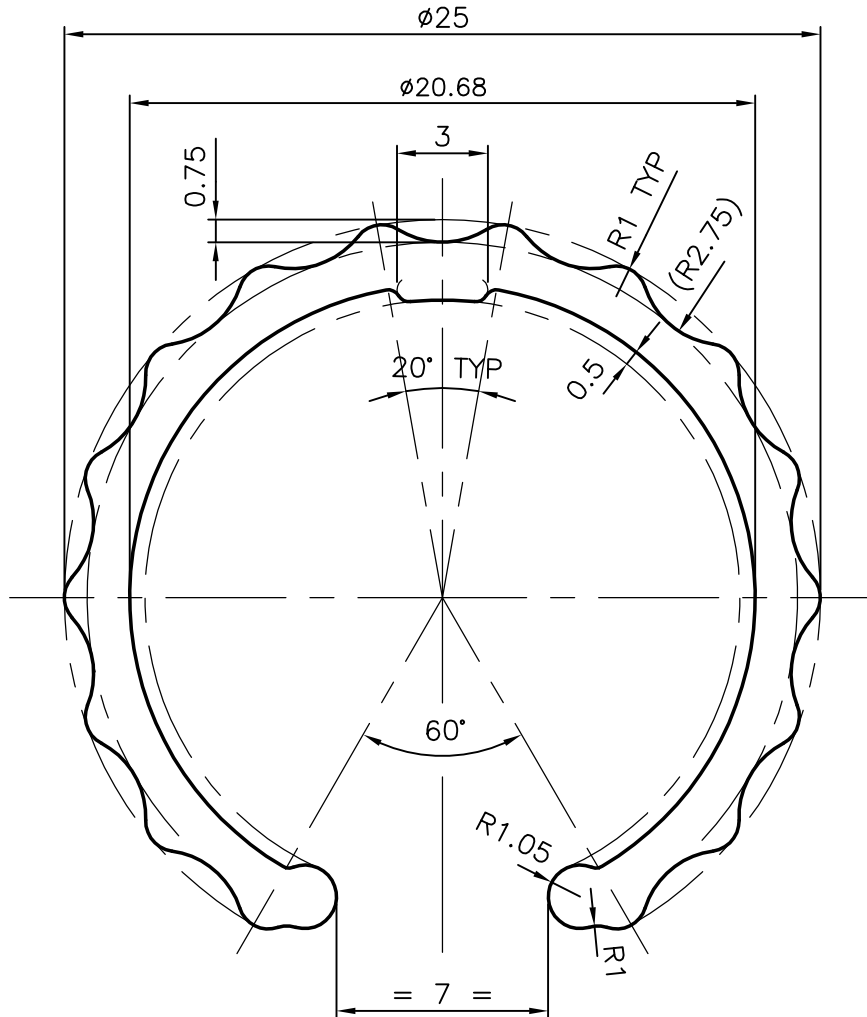


P-5797

17616



SYMBOL OF QUALITY  
AN ISO 9001 COMPANY

**JINDAL ALUMINIUM LTD.**  
BANGALORE-560073 (INDIA)

|          | NAME       | DATE       |
|----------|------------|------------|
| DRAWN    | MALINGAPPA | 06-08-2005 |
| CHECKED  |            |            |
| APPROVED |            |            |

1. ALL DIMENSIONS ARE IN mm.
2. ROUND OFF ALL SHARP CORNERS WITH 0.40 mm.
3. TOLERANCES WILL BE AS PER IS:3965-1981 UNLESS OTHERWISE SPECIFIED

|                      |         |
|----------------------|---------|
| SCALE                | 4:1     |
| AREA mm <sup>2</sup> | 111.395 |
| PERIMETER mm.        | 134.147 |
| WEIGHT kg/m          | 0.301   |

|                     |                                 |
|---------------------|---------------------------------|
| PARTY'S NAME        | GENERAL CATEGORY, MUMBAI MARKET |
| PARTY'S DRAWING No. | AS PER DRAWING                  |
| ALLOY & TEMPER      | HE9 WP                          |
| DESCRIPTION         | MISCELLANEOUS SECTION           |

| DRAWING No. | SECTION No. |
|-------------|-------------|
| P-5797      | -           |
| 17616       | 17616       |
|             |             |
|             |             |