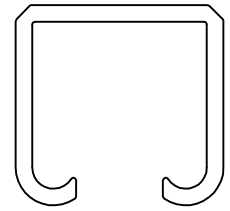
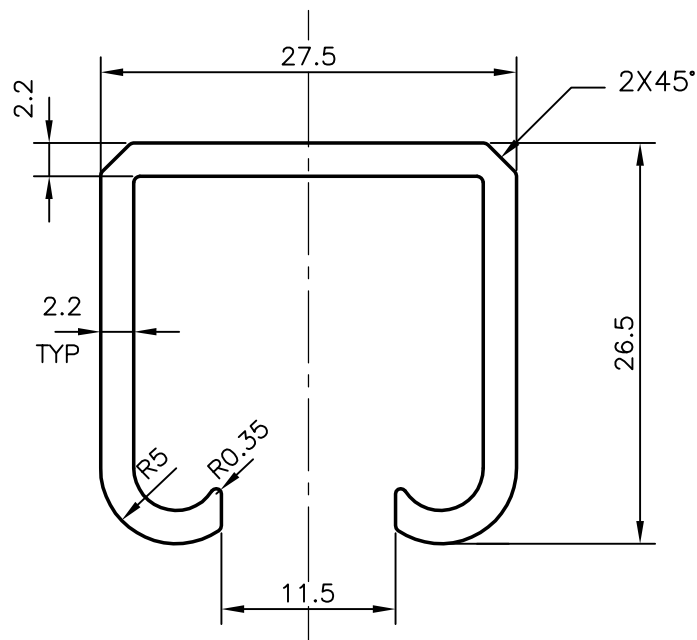


P-8703

17658



SCALE 1:1



SYMBOL OF QUALITY  
AN ISO 9001 COMPANY

**JINDAL ALUMINIUM LTD.**  
BANGALORE-560073 (INDIA)

	NAME	DATE
DRAWN	ABHARANI	30-09-2008
CHECKED		
APPROVED		

1. ALL DIMENSIONS ARE IN mm.
2. ROUND OFF ALL SHARP CORNERS WITH 0.4 mm.
3. TOLERANCES WILL BE AS PER IS:3965-1981 UNLESS OTHERWISE SPECIFIED

SCALE	2:1
AREA mm <sup>2</sup>	183.277
PERIMETER mm.	172.313
WEIGHT kg/m	0.495

PARTY'S NAME: MADHU INDIA LTD., LUCKNOW

PARTY'S DRAWING No.: AS PER SAMPLE

ALLOY & TEMPER: HE9 WP

DESCRIPTION: MISC. SECTION

DRAWING No.	SECTION No.
P-8703	-
17658	17658
-	-