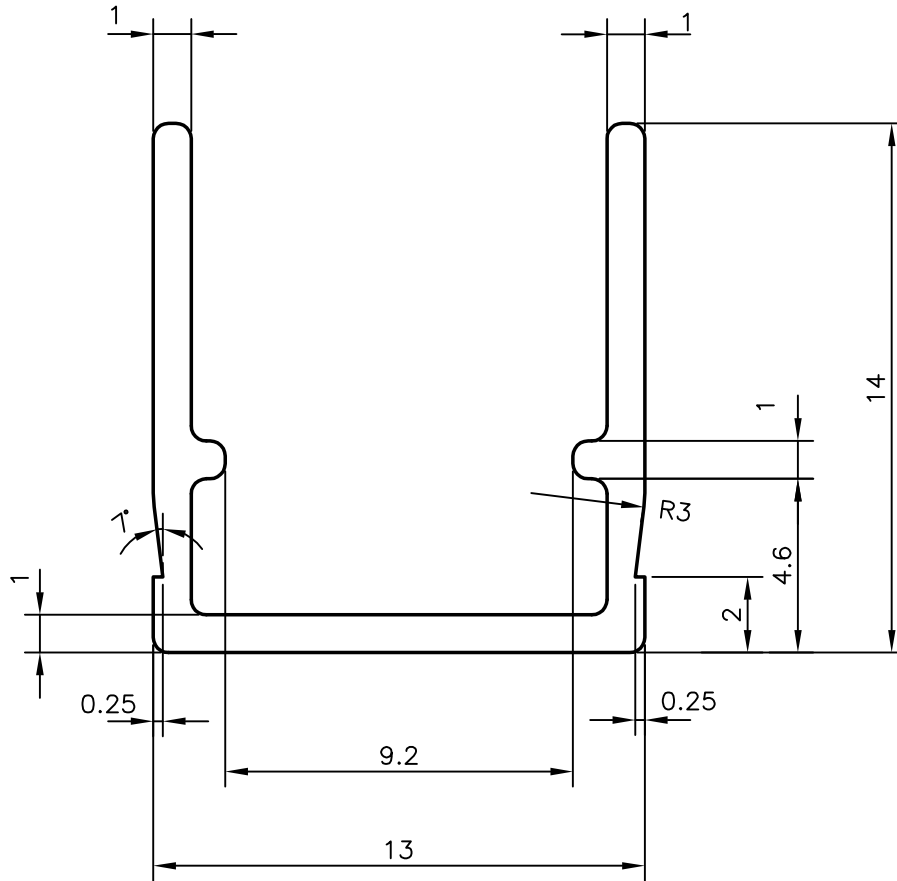
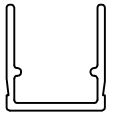


P-10552

17669



SYMBOL OF QUALITY
AN ISO 9001 COMPANY

JINDAL ALUMINIUM LTD.
BANGALORE-560073 (INDIA)

	NAME	DATE
DRAWN	J.P.KAUSHIK	15-11-2010
CHECKED		
APPROVED	J.N.RAI	16-12-2010
SCALE		5:1
AREA mm ²		40.152
PERIMETER mm.		81.383
WEIGHT kg/m		0.108
DRAWING No.	SECTION No.	
P-10552	-	
17669	17669	

1. ALL DIMENSIONS ARE IN mm.
2. ROUND OFF ALL SHARP CORNERS WITH 0.40 mm.
3. TOLERANCES WILL BE AS PER,IS:3965-1981 UNLESS OTHERWISE SPECIFIED

PARTY'S NAME	GENERAL CATEGORY,MUMBAI MARKET
PARTY'S DRAWING No.	AS PER SAMPLE
ALLOY & TEMPER	HE9 WP
DESCRIPTION	MISC. SECTION