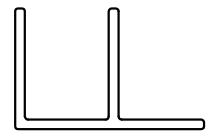
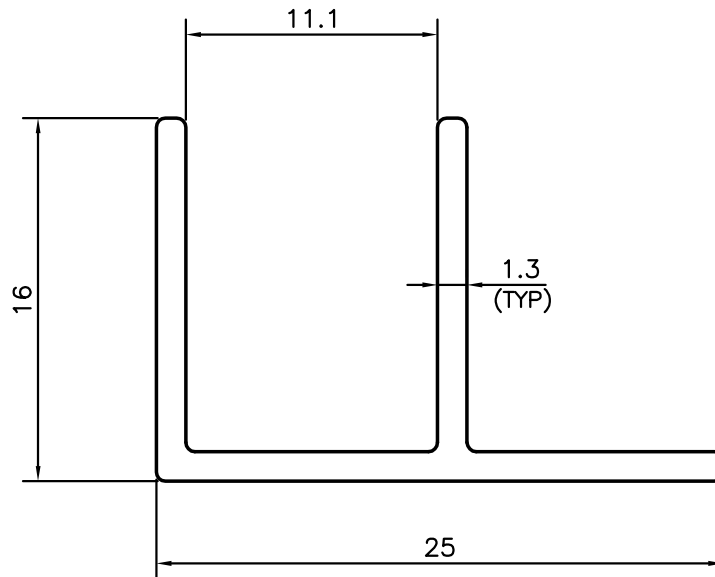


P-12595-1

17697



SCALE 1:1



SYMBOL OF QUALITY
AN ISO 9001 COMPANY

JINDAL ALUMINIUM LTD.
BANGALORE-560073 (INDIA)

	NAME	DATE
DRAWN	SRIVATHSA	13-03-2013
CHECKED		
APPROVED	S.S.GARG	09-04-2013

1. ALL DIMENSIONS ARE IN mm.
2. ROUND OFF ALL SHARP CORNERS WITH 0.40 mm.
3. TOLERANCES WILL BE AS PER IS:3965-1981, UNLESS OTHERWISE SPECIFIED

SCALE	3:1
AREA mm ²	70.583
PERIMETER mm.	109.683
WEIGHT kg/m	0.191

PARTY'S NAME	GENERAL CATEGORY, MUMBAI MARKET
--------------	---------------------------------

DRAWING No.	SECTION No.
-------------	-------------

PARTY'S DRAWING No.	AS PER REQUIREMENT
---------------------	--------------------

P-12595-1	-
17697	17697

ALLOY & TEMPER	HE9 WP
----------------	--------

DESCRIPTION	F-SECTION
-------------	-----------