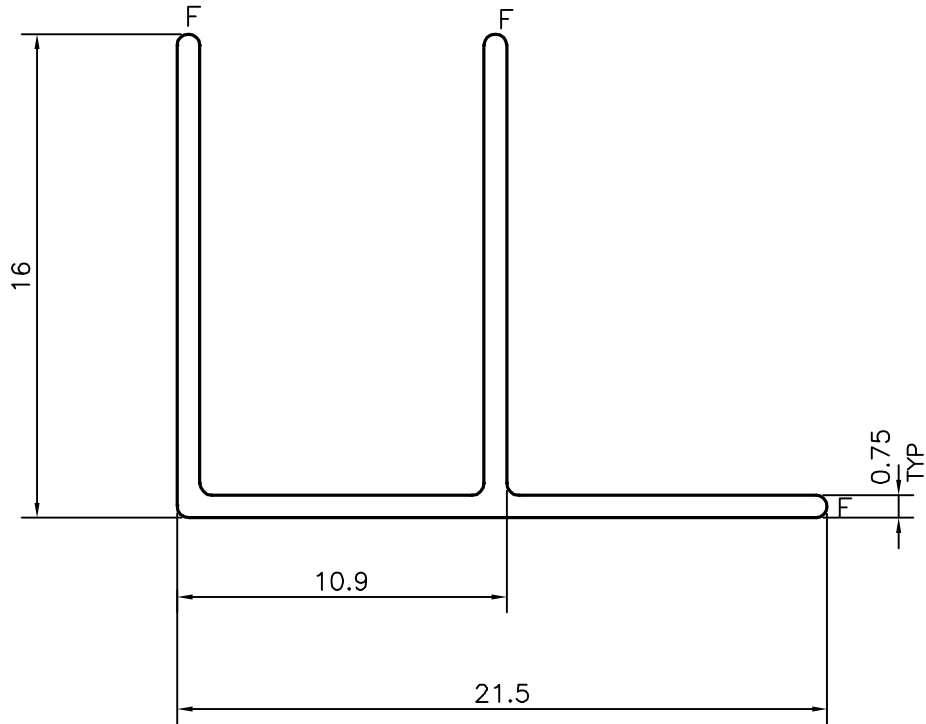
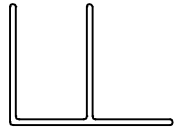


P-14504

17719



SYMBOL OF QUALITY
AN ISO 9001 COMPANY

JINDAL ALUMINIUM LTD.
BANGALORE-560073 (INDIA)

	NAME	DATE
DRAWN	J.P.KAUSHIK	26-03-2015
CHECKED		
APPROVED	S.S.GARG	09-07-2015
SCALE		4:1
AREA mm ²		38.888
PERIMETER mm.		103.848
WEIGHT kg/m		0.105
DRAWING No.	SECTION No.	
P-14504	-	
17719	17719	

1. ALL DIMENSIONS ARE IN mm.
2. ROUND OFF ALL SHARP CORNERS WITH 0.40 mm.
3. TOLERANCES WILL BE AS PER IS:3965-1981 , UNLESS OTHERWISE SPECIFIED

PARTY'S NAME	GENERAL CATEGORY, COCHIN MARKET
PARTY'S DRAWING No.	AS PER SAMPLE
ALLOY & TEMPER	HE9 WP
DESCRIPTION	F SECTION