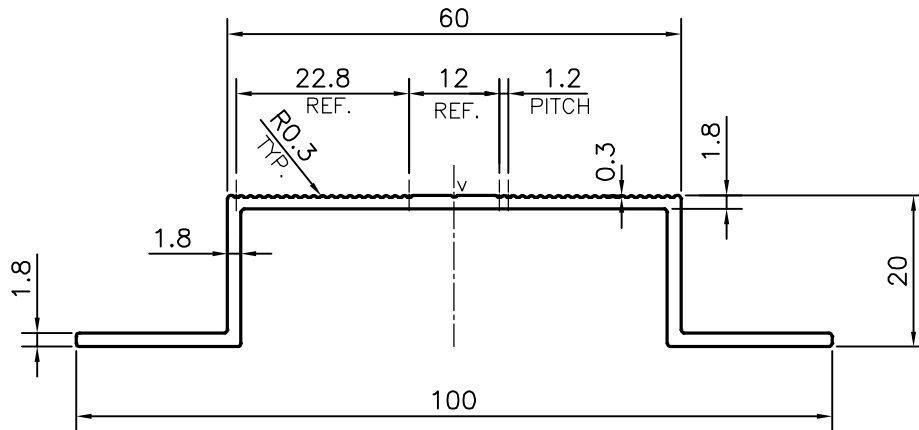



P-15932

17726



V = VEE GROOVE 0.3x90° (1 PLACE)

 SYMBOL OF QUALITY AN ISO 9001 COMPANY	JINDAL ALUMINIUM LTD. BANGALORE-560073 (INDIA)	DRAWN	NAME	DATE
		CHECKED	PARVESH	09-06-2016
1. ALL DIMENSIONS ARE IN mm. 2. ROUND OFF ALL SHARP CORNERS WITH 0.40 mm. 3. TOLERANCES WILL BE AS PER BS:EN-755-9 , UNLESS OTHERWISE SPECIFIED		APPROVED	S.S. GARG	10-06-2016
		SCALE		1:1
PARTY'S NAME UAB LEMORA, LITHUANIA		AREA	mm ²	238.022
		PERIMETER	mm.	281.448
PARTY'S DRAWING No. AS PER SKETCH		WEIGHT	kg/m	0.643
		DRAWING No.	SECTION No.	
ALLOY & TEMPER 6063 T6		P-15932		-
		17726		17726
DESCRIPTION FLUTED CHANNEL SECTION				