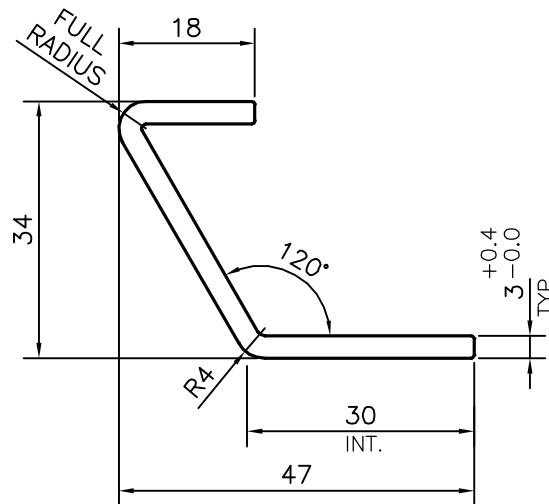



P-14827

S4514


17742




**TOLERANCE ADDED ON THICKNESS 3 mm.**  
**AS PER CUSTOMER REQUIREMENT.**  
**ON DATED 10-07-2015.**

**TOLERANCES ON OVERALL WIDTHS & WIDTHS ACROSS FLATS OF BARS, & REGULAR SECTIONS**

UPTO 6.40mm - ±0.20	UPTO 32.0mm - ±0.38	UPTO 120.0mm - ±0.85	1. STRAIGHTNESS=1.7mm/M 2. TWIST=1.7mm/M 3. ANGULARITY= ±2° 4. FLATNESS =0.007xWIDTH
UPTO 10.0mm - ±0.23	UPTO 50.0mm - ±0.46	UPTO 160.0mm - ±1.02	
UPTO 12.0mm - ±0.25	UPTO 60.0mm - ±0.53	UPTO 200.0mm - ±1.14	
UPTO 16.0mm - ±0.28	UPTO 80.0mm - ±0.69	UPTO 250.0mm - ±1.40	
UPTO 25.0mm - ±0.30	UPTO 100.0mm - ±0.75	UPTO 300.0mm - ±1.65	

 SYMBOL OF QUALITY AN ISO 9001 COMPANY	<b>JINDAL ALUMINIUM LTD.</b> <b>BANGALORE-560073 (INDIA)</b>	DRAWN	NAME	DATE
		CHECKED	<b>PARVESH</b>	01-07-2015
1. ALL DIMENSIONS ARE IN mm. 2. ROUND OFF ALL SHARP CORNERS WITH 0.40 mm. 3. TOLERANCES WILL BE AS PER IS:3965-1981 , UNLESS OTHERWISE SPECIFIED		APPROVED	S.S.GARG	04-07-2015
		SCALE		1:1
PARTY'S NAME SHRI VINAYAGA ENGINEERING WORKS, KANCHIPURAM		AREA mm <sup>2</sup>		239.343
		PERIMETER mm.		164.967
PARTY'S DRAWING No. AS PER DRAWING-PROFILE-1		WEIGHT kg/m		0.646
		DRAWING No.		SECTION No.
ALLOY & TEMPER 6063 T6		P-14827		-
		S4514		S4514
DESCRIPTION MISC. SECTION		17742		17742