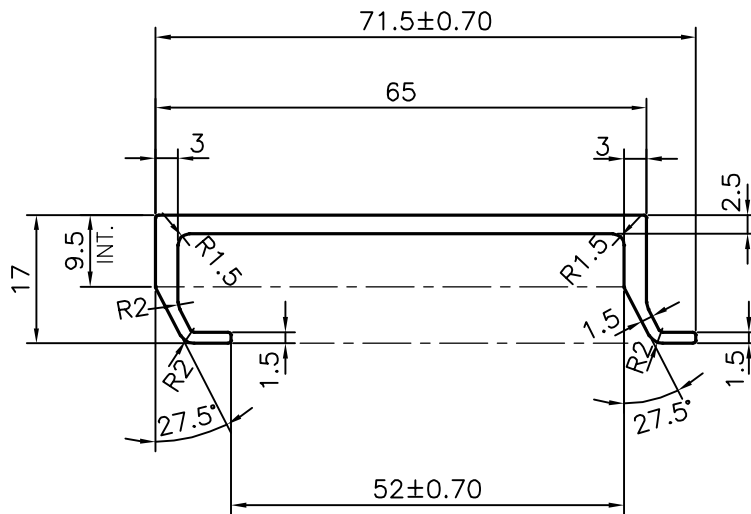



P-17947

17747



 SYMBOL OF QUALITY AN ISO 9001 COMPANY	JINDAL ALUMINIUM LTD. BANGALORE-560073 (INDIA)	NAME		DATE
		DRAWN	J.P.KAUSHIK	03-03-2018
1. ALL DIMENSIONS ARE IN mm. 2. ROUND OFF ALL SHARP CORNERS WITH 0.40 mm. 3. TOLERANCES WILL BE AS PER IS:3965-1981 UNLESS OTHERWISE SPECIFIED		CHECKED		
		APPROVED	B.NATARAJA	13-03-2018
PARTY'S NAME GENERAL CATEGORY, MUMBAI MARKET		SCALE		1:1
		AREA mm ²		247.128
PARTY'S DRAWING No. AS PER DRAWING		PERIMETER mm.		208.384
		WEIGHT kg/m		0.667
ALLOY & TEMPER HE9 WP		DRAWING No.		SECTION No.
		P-17947		-
DESCRIPTION MISC. SECTION		17747		17747