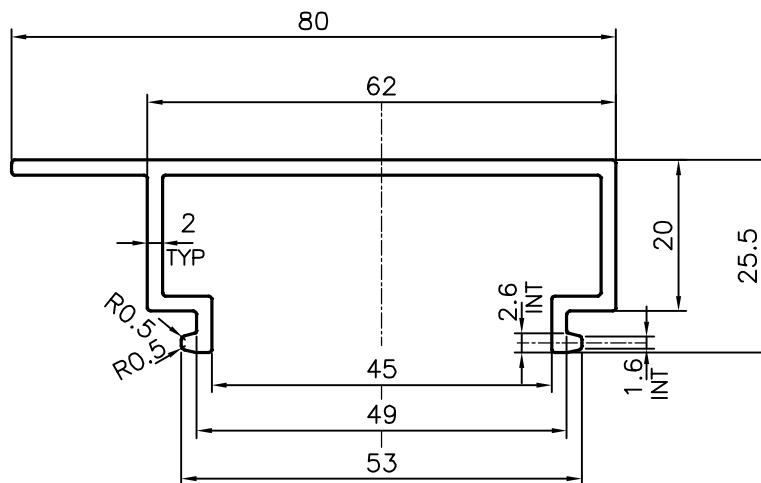
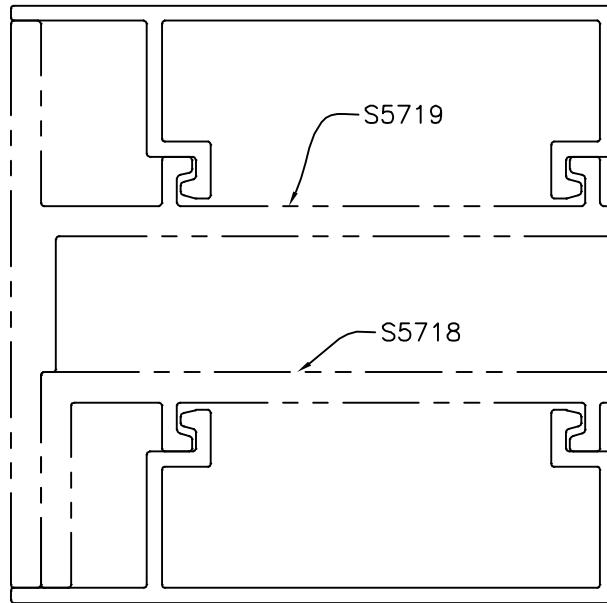


P-17972

S5720

17769



SYMBOL OF QUALITY
AN ISO 9001 COMPANY

JINDAL ALUMINIUM LTD.
BANGALORE-560073 (INDIA)

	NAME	DATE
DRAWN	J.P.KAUSHIK	09-03-2018
CHECKED		
APPROVED	B.NATARAJA	14-03-2018
SCALE		1:1
AREA mm ²		288.251
PERIMETER mm.		286.838
WEIGHT kg/m		0.778
DRAWING No.	SECTION No.	
P-17972	-	
S5720	S5720	
17769	17769	

1. ALL DIMENSIONS ARE IN mm.
2. ROUND OFF ALL SHARP CORNERS WITH 0.40 mm.
3. TOLERANCES WILL BE AS PER IS:3965-1981 , UNLESS OTHERWISE SPECIFIED

PARTY'S NAME	DISCOY CONSTRUCTION PVT. LTD., BANGALORE
PARTY'S DRAWING No.	AS PER DRAWING-SECTION No:-1
ALLOY & TEMPER	6063 T6
DESCRIPTION	CLIP SECTION