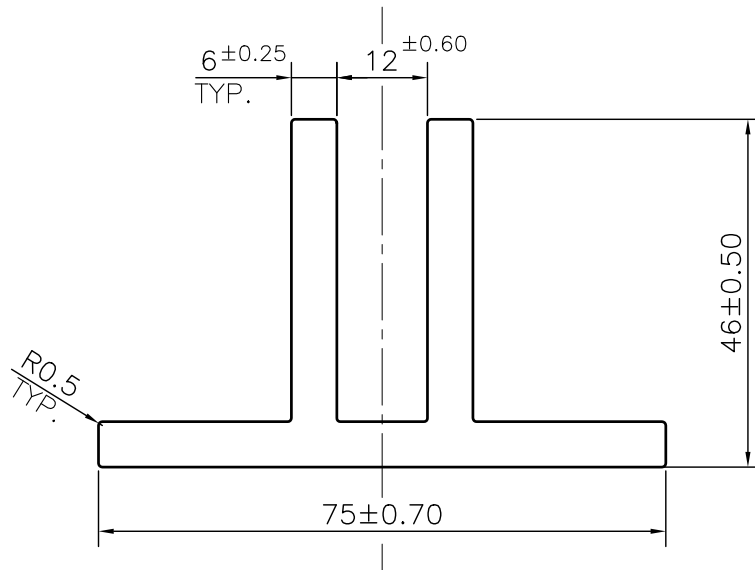


IAL-D-7266

17804



☞ ROUND OFF ALL SHARP CORNERS WITH 0.50 mm.

1. STRAIGHTNESS= 1.7mm/M
2. TWIST= 1.7mm/M
3. ANGULARITY=  $\pm 1.5^\circ$
4. FLATNESS=  $\pm 0.70$ mm



SYMBOL OF QUALITY  
AN ISO 9001 COMPANY

**JINDAL ALUMINIUM LTD.**  
BHIWADI-301019 (INDIA)

|                      | NAME     | DATE        |
|----------------------|----------|-------------|
| DRAWN                | ASHUTOSH | 22-07-2024  |
| CHECKED              |          |             |
| APPROVED             |          |             |
| SCALE                |          | 1:1         |
| AREA mm <sup>2</sup> |          | 929.785     |
| PERIMETER mm.        |          | 319.42      |
| WEIGHT kg/m          |          | 2.51        |
| DRAWING No.          |          | SECTION No. |
| IAL-D-7266           |          | -           |
| 17804                |          | 17804       |

1. ALL DIMENSIONS ARE IN mm.
2. ROUND OFF ALL SHARP CORNERS WITH 0.50 mm.
3. TOLERANCES WILL BE AS PER IS : 3965-1981 , UNLESS OTHERWISE SPECIFIED

|                     |                          |  |
|---------------------|--------------------------|--|
| PARTY'S NAME        | KOHLI ALUMINIUM          |  |
| PARTY'S DRAWING No. | AS PER DRAWING           |  |
| ALLOY & TEMPER      | 63400 WP                 | PRODUCT CODE:-029<br>HSN CODE:- 76042990 |
| DESCRIPTION         | STRUCTURAL MISC. SECTION |  |