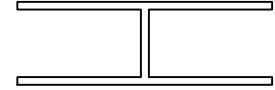
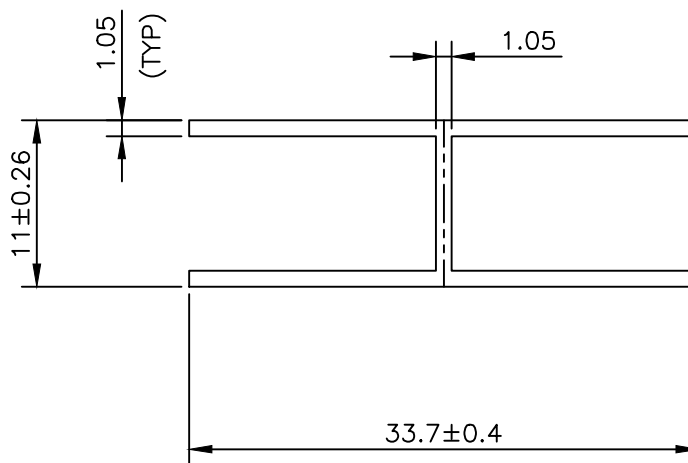


IAL-C-808

17812



SCALE:1:1



SYMBOL OF QUALITY
AN ISO 9001 COMPANY

JINDAL ALUMINIUM LTD.
BANGALORE-560073 (INDIA)

	NAME	DATE
DRAWN	S.K.SHARMA	26-02-2022
CHECKED		
APPROVED		

1. ALL DIMENSIONS ARE IN mm.
2. ROUND OFF ALL SHARP CORNERS WITH 0.40 mm.
3. TOLERANCES WILL BE AS PER BS:EN-755-9 , UNLESS OTHERWISE SPECIFIED

SCALE 1:1&2:1

AREA mm² 80.0

PERIMETER mm. 154.6

WEIGHT kg/m 0.216

DRAWING No. SECTION No.

IAL-C-808 -

17812 17812

PARTY'S NAME M/S. RAM AVTAR & CO.

PARTY'S DRAWING No. AS PER DRAWING

ALLOY & TEMPER 6063-T6

DESCRIPTION STRUCTURAL MISC SECTION