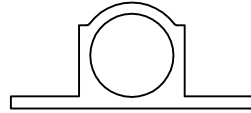
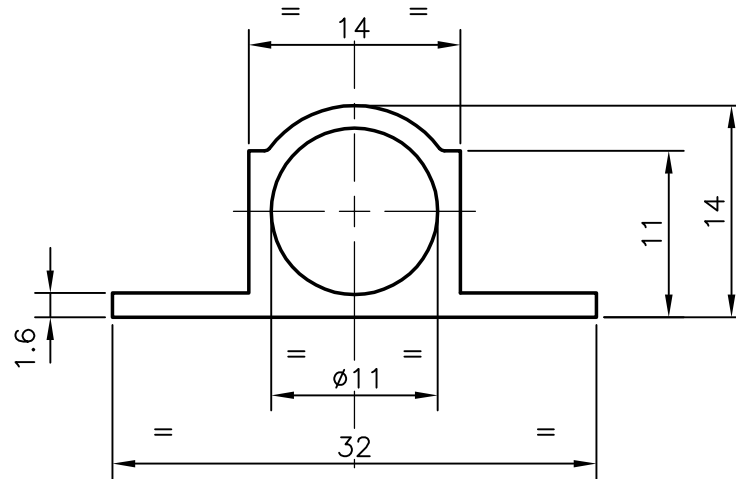


4003

18003



1:1



## JINDAL ALUMINIUM LTD.

BANGALORE-560073

| JINDAL ALUMINIUM LTD.<br>BANGALORE-560073   |            | NAME        | DATE       |
|---|------------|-------------|------------|
|   |            | DRAWN       | R.D.Sharma |
| 1. ALL DIMENSIONS ARE IN mm.<br>2. ROUND OFF ALL SHARP CORNERS WITH 0.4 mm.<br>3. TOLERANCES WILL BE AS PER IS: 6477-1983 ,UNLESS OTHERWISE SPECIFIED |            | CHECKED     |            |
|   |            | APPROVED    |            |
|   |            | SCALE       | 2:1        |
| PARTY'S NAME  | —          | WEIGHT kg/m | 0.302      |
| PARTY'S DRAWING No.   | —          | SECTION No. | 18003      |
| ALLOY & TEMPER  | HE9 WP     | DRAWING No. |            |
| LENGTH  | 3658 mm.   | 18003       |            |
| DESCRIPTION   | TOWER BOLT |             |            |