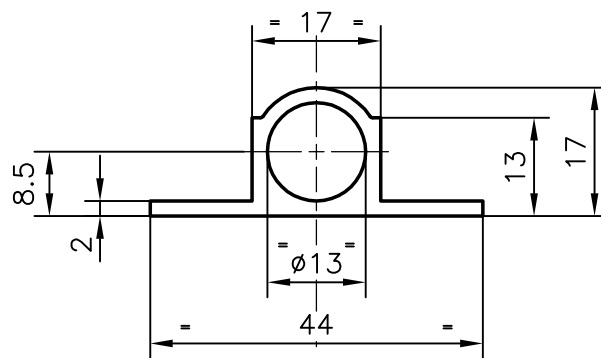


4009

18007



3658 mm.LONG PIECES IN 100 kgs:- 100 PIECES

**JINDAL ALUMINIUM LTD.**

**BANGALORE-560073**

|   |            | NAME        | DATE       |
|---|------------|-------------|------------|
|   |            | DRAWN       | R.D.Sharma |
| 1. ALL DIMENSIONS ARE IN mm.<br>2. ROUND OFF ALL SHARP CORNERS WITH 0.4 mm.<br>3. TOLERANCES WILL BE AS PER IS: 6477-1983 ,UNLESS OTHERWISE SPECIFIED |            | CHECKED     |            |
|   |            | APPROVED    |            |
| PARTY'S NAME  | —          | SCALE       | 1:1        |
| PARTY'S DRAWING No.   | —          | WEIGHT kg/m | 0.493      |
| ALLOY & TEMPER  | HE9 WP     | SECTION No. | 18007      |
| LENGTH  | 3658 mm.   | DRAWING No. |            |
| DESCRIPTION   | TOWER BOLT | 18007       |            |