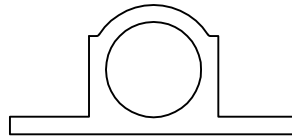
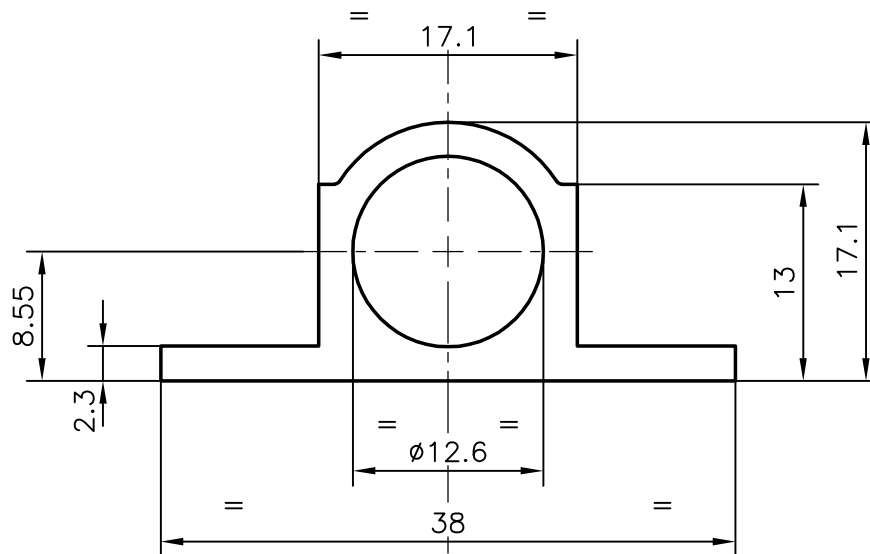


4951

18016



1:1



WEIGHT OF 3658 mm. LONG PIECE:- 1.850 kgs. (AVERAGE)

JINDAL ALUMINIUM LTD.

BANGALORE-560073

NAME

DATE

DRAWN

R.D.Sharma

22-04-97

1. ALL DIMENSIONS ARE IN mm.
2. ROUND OFF ALL SHARP CORNERS WITH 0.4 mm.
3. TOLERANCES WILL BE AS PER IS: 6477-1983 ,UNLESS OTHERWISE SPECIFIED

CHECKED

APPROVED

PARTY'S NAME

-

SCALE

2:1

PARTY'S DRAWING No.

-

WEIGHT kg/m

0.506

ALLOY & TEMPER

HE9 WP

SECTION No.

18016

LENGTH

3658 mm.

DRAWING No.

DESCRIPTION

TOWER BOLT

18016