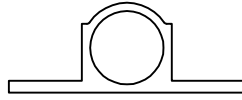
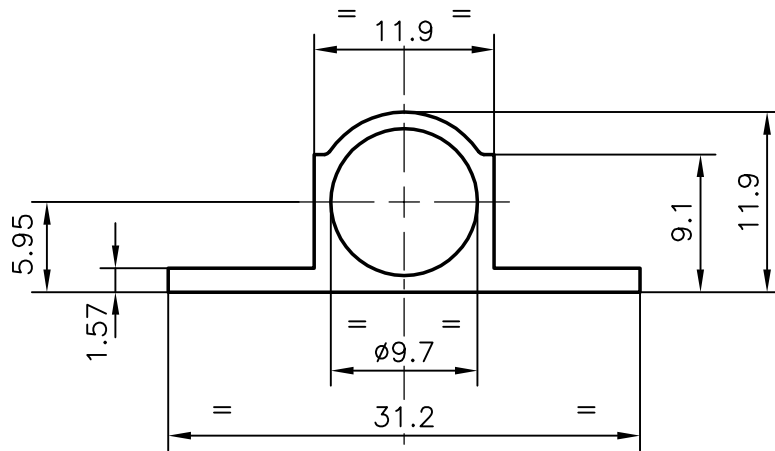


4952

18017



1:1



WEIGHT OF 3658 mm. LONG PIECE:- 0.830 TO 0.840 kgs.

JINDAL ALUMINIUM LTD.
BANGALORE-560073

JINDAL ALUMINIUM LTD. BANGALORE-560073		NAME	DATE
		DRAWN	R.D.Sharma
1. ALL DIMENSIONS ARE IN mm. 2. ROUND OFF ALL SHARP CORNERS WITH 0.4 mm. 3. TOLERANCES WILL BE AS PER IS: 6477-1983 ,UNLESS OTHERWISE SPECIFIED		CHECKED	
		APPROVED	
PARTY'S NAME	—	SCALE	2:1
PARTY'S DRAWING No.	—	WEIGHT kg/m	0.229
ALLOY & TEMPER	HE9 WP	SECTION No.	18017
LENGTH	3658 mm.	DRAWING No.	
DESCRIPTION	TOWER BOLT	18017	