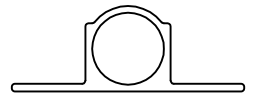
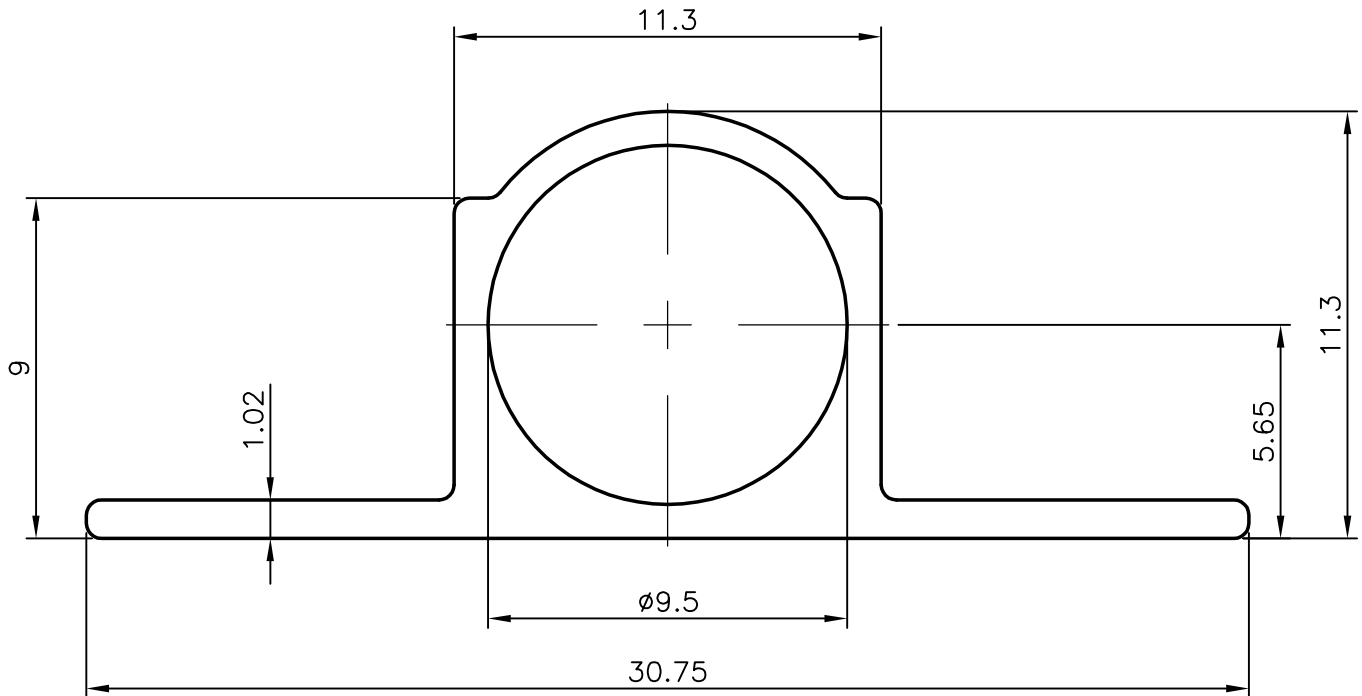


4958

18022



SCALE 1:1



NO OF PIECES IN 100 kgs:- 155 (AVERAGE)



SYMBOL OF QUALITY  
AN ISO 9001 COMPANY

**JINDAL ALUMINIUM LTD.**  
BANGALORE-560073 (INDIA)

	NAME	DATE
DRAWN	RAGHAVENDRA	10-10-2007
CHECKED		
APPROVED		

1. ALL DIMENSIONS ARE IN mm.
2. ROUND OFF ALL SHARP CORNERS WITH 0.40 mm.
3. TOLERANCES WILL BE AS PER IS:6477-1983 UNLESS OTHERWISE SPECIFIED

SCALE	5:1
AREA mm <sup>2</sup>	65.172
PERIMETER mm.	79.549
WEIGHT kg/m	0.176

PARTY'S NAME	-	DRAWING No.	4958	SECTION No.	4958
PARTY'S DRAWING No.	-	18022	18022		
ALLOY & TEMPER	HE9 WP				
DESCRIPTION	TOWER BOLT				