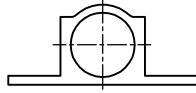
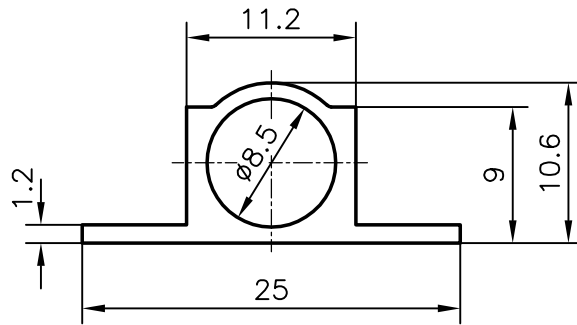


4961

18024



1:1



3658 mm. LONG NO. OF PIECES IN 100 kgs. :- 146 (AVERAGE)

JINDAL ALUMINIUM LTD.
BANGALORE-560073

NAME

DATE

DRAWN

R.D.Sharma

7-8-95

CHECKED

APPROVED

1. ALL DIMENSIONS ARE IN mm.
2. ROUND OFF ALL SHARP CORNERS WITH 0.4 mm.
3. TOLERANCES WILL BE AS PER IS : 6477-1983
UNLESS OTHERWISE SPECIFIED

PARTY'S NAME

GENERAL CATEGORY

SCALE

1:1 & 2:1

PARTY'S DRAWING No.

-

WEIGHT kg/m

0.186

ALLOY & TEMPER

HE9 WP

SECTION No.

18024

LENGTH

3658 mm.

DRAWING No.

DESCRIPTION

TOWER BOLT

18024