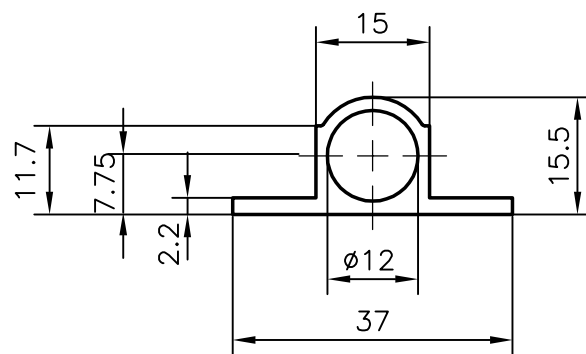


4966

18029



## *JINDAL ALUMINIUM LTD.*

*BANGALORE-560073*

		NAME	DATE
		DRAWN	R.D.Sharma
1. ALL DIMENSIONS ARE IN mm. 2. ROUND OFF ALL SHARP CORNERS WITH 0.4 mm. 3. TOLERANCES WILL BE AS PER IS: 6477-1983 ,UNLESS OTHERWISE SPECIFIED		CHECKED	
		APPROVED	
PARTY'S NAME	GENERAL CATEGORY	SCALE	1:1
PARTY'S DRAWING No.	NIL	WEIGHT kg/m	0.396
ALLOY & TEMPER	HE9 WP	SECTION No.	18029
LENGTH	AS PER REQUIREMENT	DRAWING No.	
DESCRIPTION	TOWER BOLT	18029	