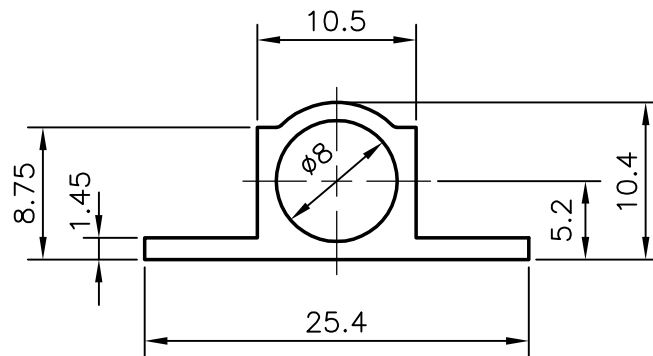


4968

18031



1:1



WEIGHT PER PIECE :- 0.710 kg (AVERAGE)

**JINDAL ALUMINIUM LTD.****BANGALORE-560073**

NAME

DATE

DRAWN

R.D.Sharma

25-02-98

1. ALL DIMENSIONS ARE IN mm.
2. ROUND OFF ALL SHARP CORNERS WITH 0.4 mm.
3. TOLERANCES WILL BE AS PER IS: 6477-1983 ,UNLESS OTHERWISE SPECIFIED

CHECKED

APPROVED

PARTY'S NAME

GENERAL CATEGORY

SCALE

2:1

PARTY'S DRAWING No.

NIL

WEIGHT kg/m

0.194

ALLOY &amp; TEMPER

HE9 WP

SECTION No.

18031

LENGTH

3658 mm.

DRAWING No.

DESCRIPTION

TOWER BOLT

18031