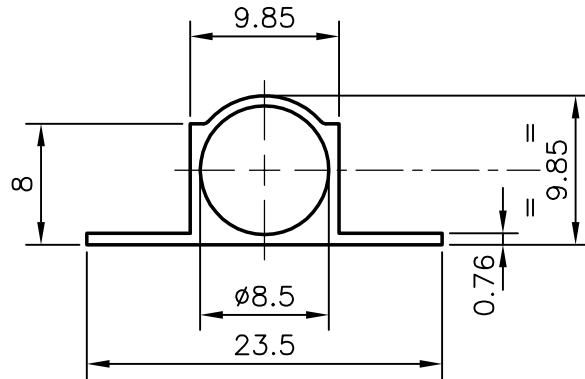


4970

18033



1:1



NO. OF PIECES IN 100 kgs. :- 239 (AVERAGE)

JINDAL ALUMINIUM LTD.**BANGALORE-560073**

NAME

DATE

DRAWN

R.D.Sharma

21-03-98

CHECKED

APPROVED

1. ALL DIMENSIONS ARE IN mm.
 2. ROUND OFF ALL SHARP CORNERS WITH 0.4 mm.
 3. TOLERANCES WILL BE AS PER IS: 6477-1983 ,UNLESS OTHERWISE SPECIFIED

PARTY'S NAME

GENERAL CATEGORY

SCALE

2:1

PARTY'S DRAWING No.

NIL

WEIGHT kg/m

0.114

ALLOY & TEMPER

HE9 WP

SECTION No.

18033

LENGTH

3658 mm.

DRAWING No.

DESCRIPTION

TOWER BOLT

18033