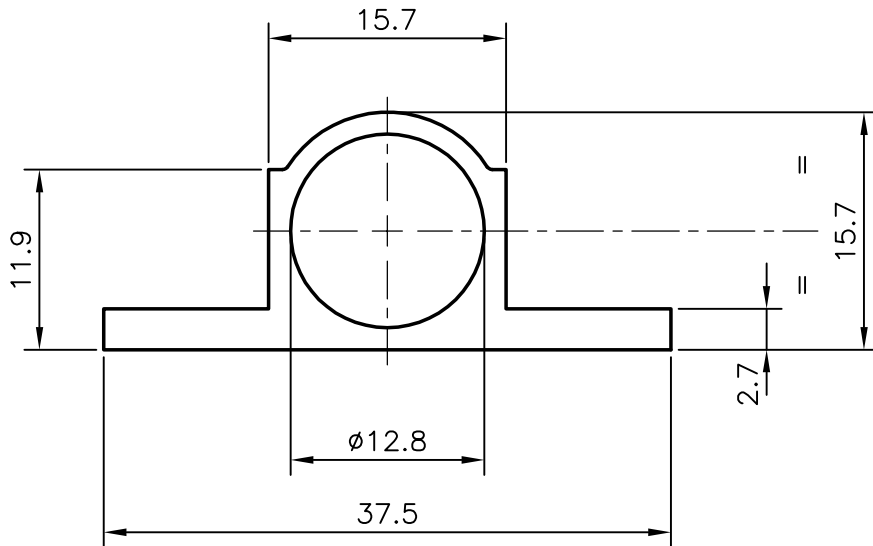
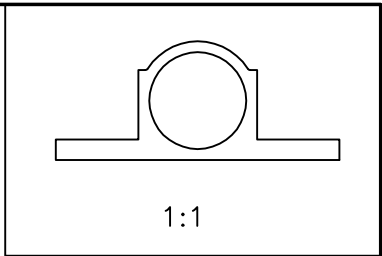


4972
18035



NO. OF PIECES IN 100 kgs. :- 66 (AVERAGE)

| | | | | |
|---|------------------|-------------|------------|----------|
| JINDAL ALUMINIUM LTD. BANGALORE-560073 | | | NAME | DATE |
| | | DRAWN | R.D.Sharma | 21-03-98 |
| 1. ALL DIMENSIONS ARE IN mm. 2. ROUND OFF ALL SHARP CORNERS WITH 0.4 mm. 3. TOLERANCES WILL BE AS PER IS: 6477-1983 ,UNLESS OTHERWISE SPECIFIED | | CHECKED | | |
| | | APPROVED | | |
| | | SCALE | 2:1 | |
| PARTY'S NAME | GENERAL CATEGORY | WEIGHT kg/m | 0.414 | |
| PARTY'S DRAWING No. | NIL | SECTION No. | 18035 | |
| ALLOY & TEMPER | HE9 WP | DRAWING No. | 18035 | |
| LENGTH | 3658 mm. | | | |
| DESCRIPTION | TOWER BOLT | | | |