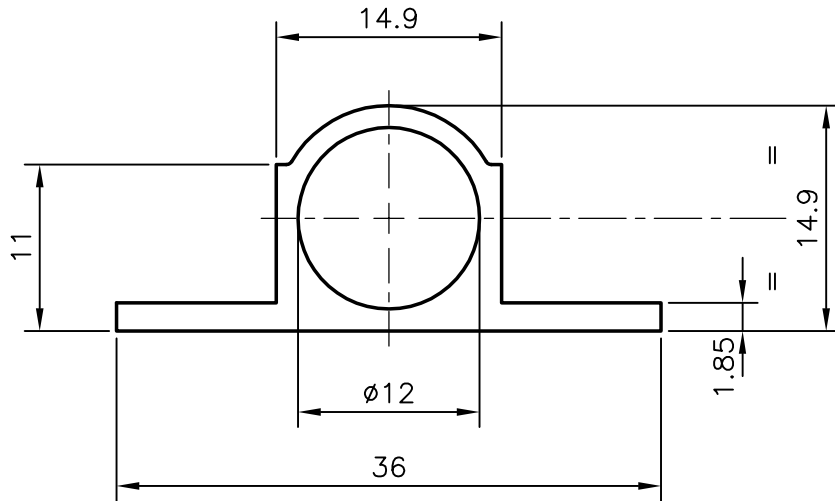
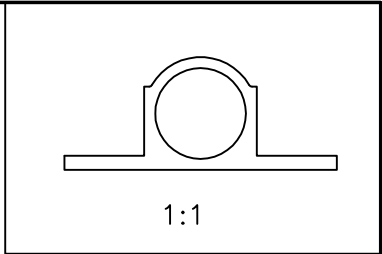


4973
18036



NO. OF PIECES IN 100 kgs. :- 80 (AVERAGE)

JINDAL ALUMINIUM LTD. BANGALORE-560073			NAME	DATE
		DRAWN	R.D.Sharma	21-03-98
1. ALL DIMENSIONS ARE IN mm. 2. ROUND OFF ALL SHARP CORNERS WITH 0.4 mm. 3. TOLERANCES WILL BE AS PER IS: 6477-1983 ,UNLESS OTHERWISE SPECIFIED		CHECKED		
		APPROVED		
PARTY'S NAME	GENERAL CATEGORY	SCALE	2:1	
PARTY'S DRAWING No.	NIL	WEIGHT kg/m	0.342	
ALLOY & TEMPER	HE9 WP	SECTION No.	18036	
LENGTH	3658 mm.	DRAWING No.		
DESCRIPTION	TOWER BOLT	18036		