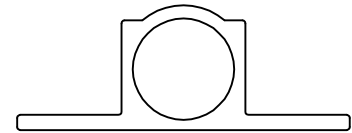
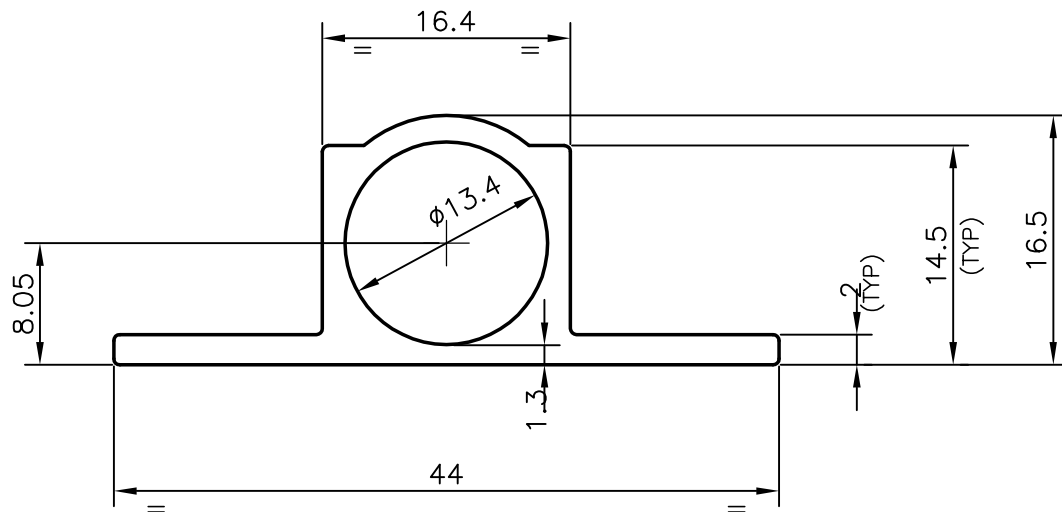


4975

18038



1:1



JINDAL ALUMINIUM LTD.

BANGALORE-560073

NAME

DATE

DRAWN

P,KULKARNI

27-5-99

1. ALL DIMENSIONS ARE IN mm.

2. ROUND OFF ALL SHARP CORNERS WITH 0.4 mm.

3. TOLERANCES WILL BE AS PER IS: 6477-1983 UNLESS OTHERWISE SPECIFIED

CHECKED

APPROVED

PARTY'S NAME

GENERAL CATEGORY (DELHI MARKET)

SCALE

2:1

PARTY'S DRAWING No.

AS PER SAMPLE

WEIGHT kg/m

0.450

ALLOY & TEMPER

HE9 WP

SECTION No.

18038

LENGTH

3658 mm

DRAWING No.

DESCRIPTION

TOWER BOLT

18038