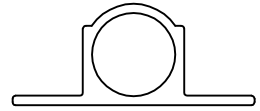
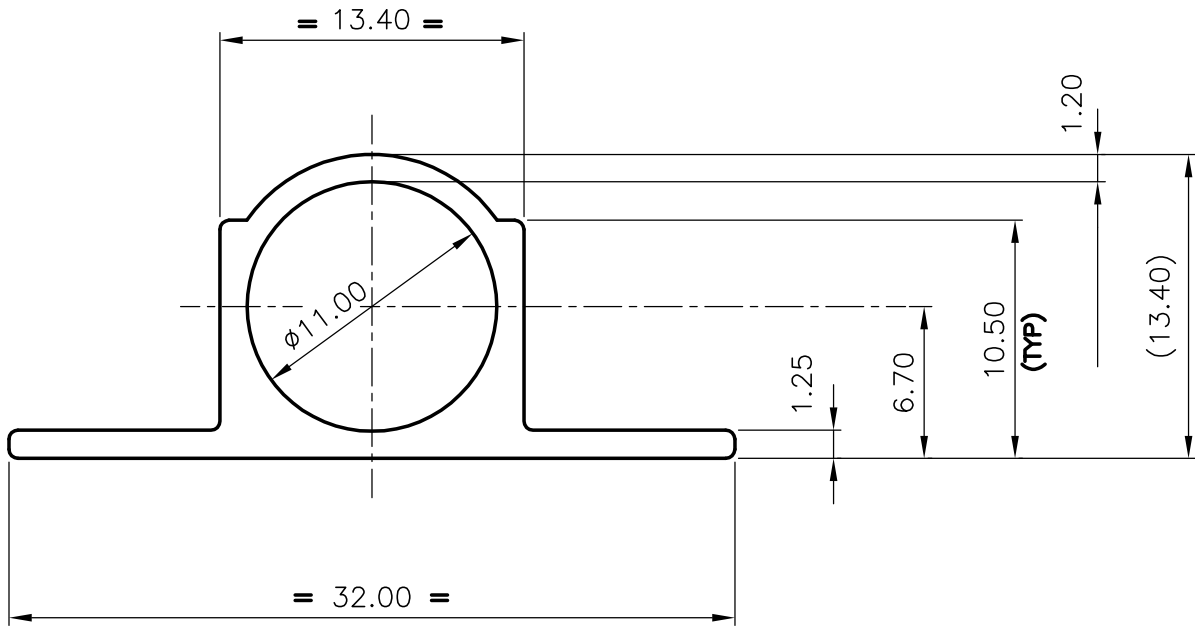



| |
|-------|
| 4976 |
| 18039 |
| |



1:1



3658 mm LONG PIECES IN 100 kgs 111 PIECES (AVERAGE)

| | | | |
|--------------------------------------------------------------------------------------------------------------------------------------------------------|----------------------------------------------------------|-------------|----------------------|
|  SYMBOL OF QUALITY AN ISO 9002 COMPANY | JINDAL ALUMINIUM LTD. BANGALORE-560073 (INDIA) | NAME | DATE |
| | | DRAWN | P,KULKARNI 29-6-2000 |
| 1. ALL DIMENSIONS ARE IN mm. 2. ROUND OFF ALL SHARP CORNERS WITH 0.40 mm. 3. TOLERANCES WILL BE AS PER I.S. 6477-1983 UNLESS OTHERWISE SPECIFIED | | CHECKED | |
| | | APPROVED | |
| | | SCALE | 3:1 |
| PARTY'S NAME | GENERAL CATEGORY (DELHI MARKET) | WEIGHT kg/m | 0.246 |
| PARTY'S DRAWING No. | LIGHTER OF SECTION NO. 4003 | SECTION No. | 18039 |
| ALLOY & TEMPER | HE9 WP | DRAWING No. | |
| DESCRIPTION | TOWER BOLT | 18039 | |