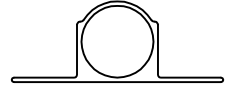
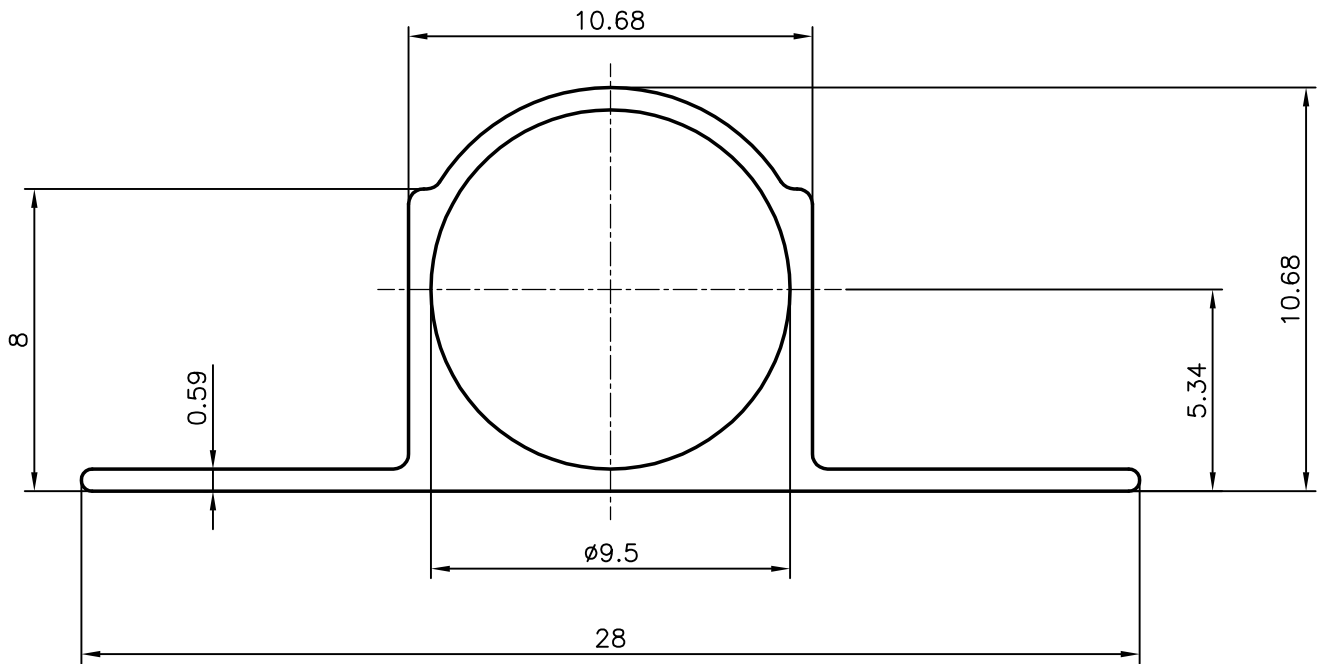


4980

18043



SCALE 1:1



NO. OF PIECES IN 100 kgs:- 240 (AVERAGE)



SYMBOL OF QUALITY
AN ISO 9001 COMPANY

JINDAL ALUMINIUM LTD.
BANGALORE-560073 (INDIA)

| | NAME | DATE |
|----------------------|-------------|------|
| DRAWN | | |
| CHECKED | | |
| APPROVED | | |
| SCALE | | |
| AREA mm ² | | |
| PERIMETER mm. | | |
| WEIGHT kg/m | | |
| DRAWING No. | SECTION No. | |
| 4980 | 4980 | |
| 18043 | 18043 | |
| | | |
| | | |

| | |
|---|---------------------------------|
| 1. ALL DIMENSIONS ARE IN mm. 2. ROUND OFF ALL SHARP CORNERS WITH 0.40 mm. 3. TOLERANCES WILL BE AS PER UNLESS OTHERWISE SPECIFIED | |
| PARTY'S NAME | GENERAL CATEGORY., DELHI MARKET |
| PARTY'S DRAWING No. | LIGHTER SECTION OF 4971 |
| ALLOY & TEMPER | HE9 WP |
| DESCRIPTION | TOWER BOLT |