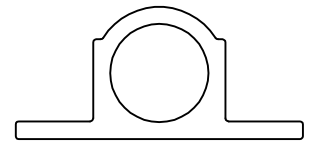


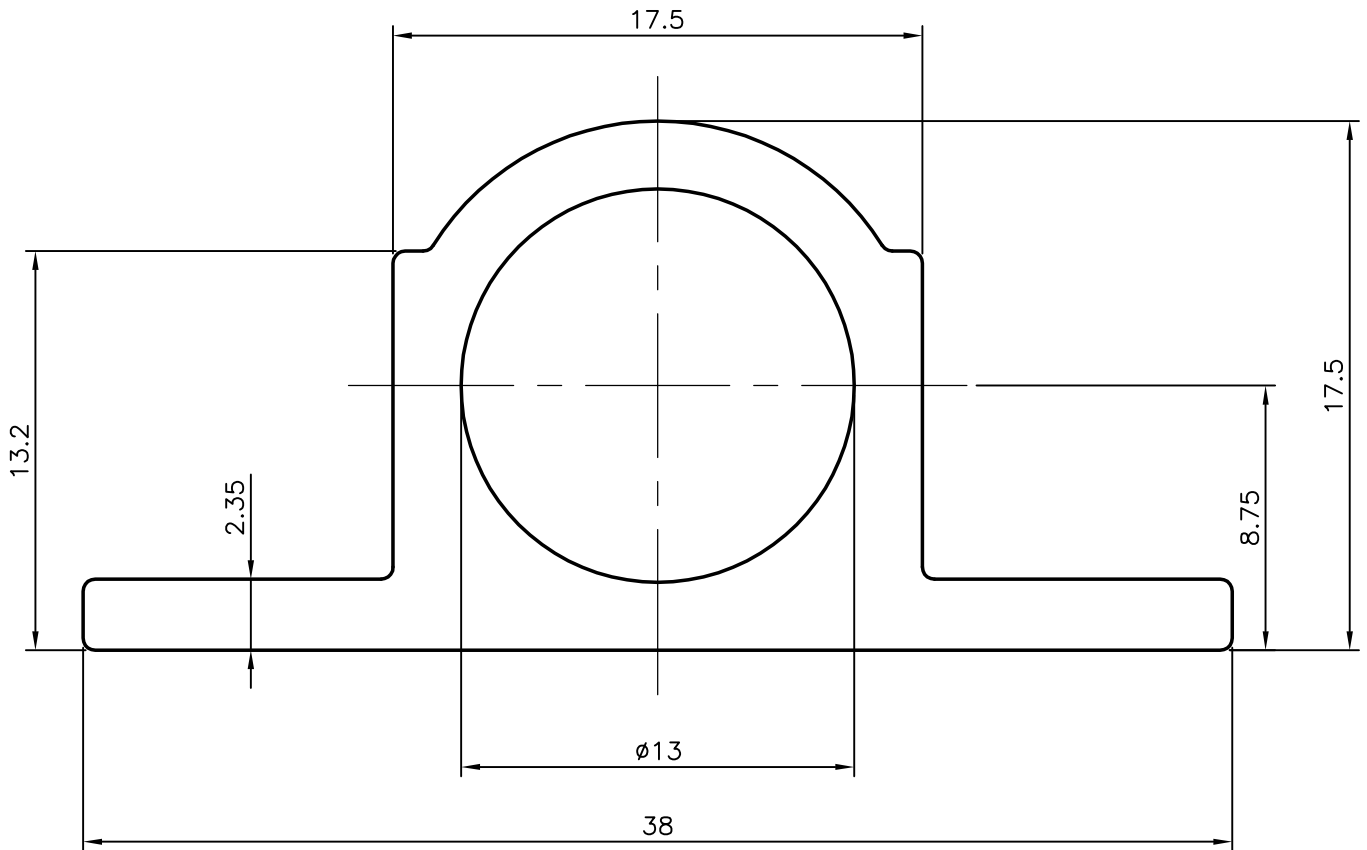
P-3660

4986

18049



SCALE 1:1



SYMBOL OF QUALITY
AN ISO 9001 COMPANY

JINDAL ALUMINIUM LTD.
BANGALORE-560073 (INDIA)

	NAME	DATE
DRAWN	PRASANN.H	09-02-2007
CHECKED		
APPROVED		

1. ALL DIMENSIONS ARE IN mm.
2. ROUND OFF ALL SHARP CORNERS WITH 0.4 mm.
3. TOLERANCES WILL BE AS PER IS:6477-1983 UNLESS OTHERWISE SPECIFIED

SCALE	4:1
AREA mm ²	192.211
PERIMETER mm.	104.031
WEIGHT kg/m	0.520

PARTY'S NAME	GENERAL CATEGORY., DELHI MARKET
PARTY'S DRAWING No.	AS PER SAMPLE
ALLOY & TEMPER	HE9 WP
DESCRIPTION	TOWER BOLT

DRAWING No.	SECTION No.
P-3660	P-3660
4986	4986
18049	18049