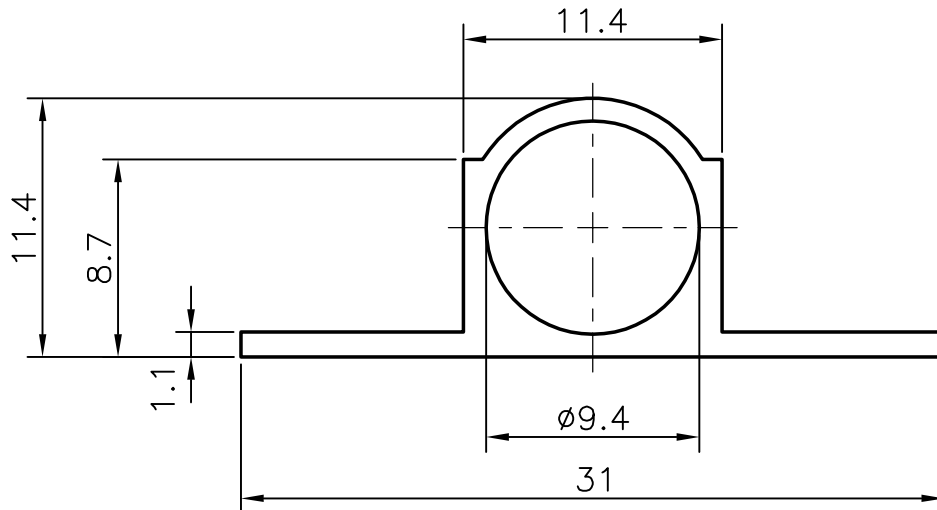
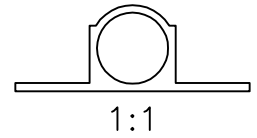


P-4206

4988

18051



WEIGHT PER 3658 mm. (12'):- 0.690 kg (AVERAGE)



SYMBOL OF QUALITY  
AN ISO 9002 COMPANY

**JINDAL ALUMINIUM LTD.**  
BANGALORE-560073 (INDIA)

	NAME	DATE
DRAWN	R.D.Sharma	26-04-03
CHECKED		
APPROVED		
SCALE	3:1	
AREA mm <sup>2</sup>	69.8	
PERIMETER mm.	81.3	
WEIGHT kg/m	0.188	
SECTION No.	18051	
DRAWING No.	18051	

1. ALL DIMENSIONS ARE IN mm.
2. ROUND OFF ALL SHARP CORNERS WITH 0.40 mm.
3. TOLERANCES WILL BE AS PER IS 6477-1983 UNLESS OTHERWISE SPECIFIED

PARTY'S NAME	GENERAL CATEGORY, DELHI MARKET
PARTY'S DRAWING No.	AS PER SAMPLE
ALLOY & TEMPER	HE9 WP
DESCRIPTION	TOWER BOLT