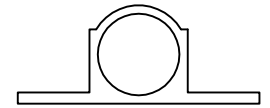


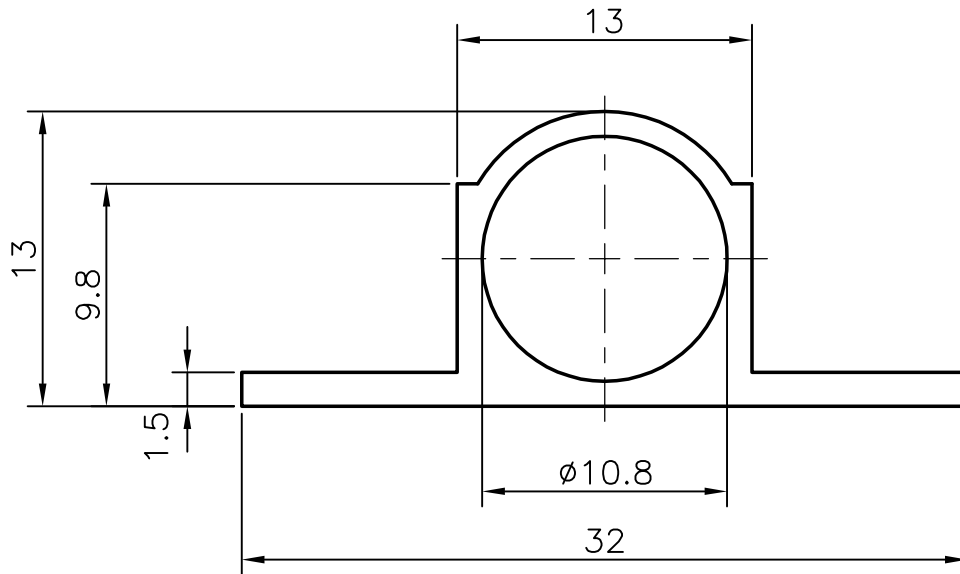
P-4208

4990

18053



1:1



WEIGHT PER 3658 mm. (12'):- 0.885 kg (AVERAGE)



SYMBOL OF QUALITY
AN ISO 9002 COMPANY

JINDAL ALUMINIUM LTD.
BANGALORE-560073 (INDIA)

	NAME	DATE
DRAWN	R.D.Sharma	26-04-03
CHECKED		
APPROVED		
SCALE	3:1	
AREA mm ²	89.7	
PERIMETER mm.	85.9	
WEIGHT kg/m	0.242	
SECTION No.	18053	
DRAWING No.	18053	

1. ALL DIMENSIONS ARE IN mm.
2. ROUND OFF ALL SHARP CORNERS WITH 0.40 mm.
3. TOLERANCES WILL BE AS PER IS 6477-1983 UNLESS OTHERWISE SPECIFIED

PARTY'S NAME	GENERAL CATEGORY, DELHI MARKET
PARTY'S DRAWING No.	NIL
ALLOY & TEMPER	HE9 WP
DESCRIPTION	TOWER BOLT