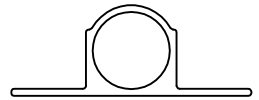
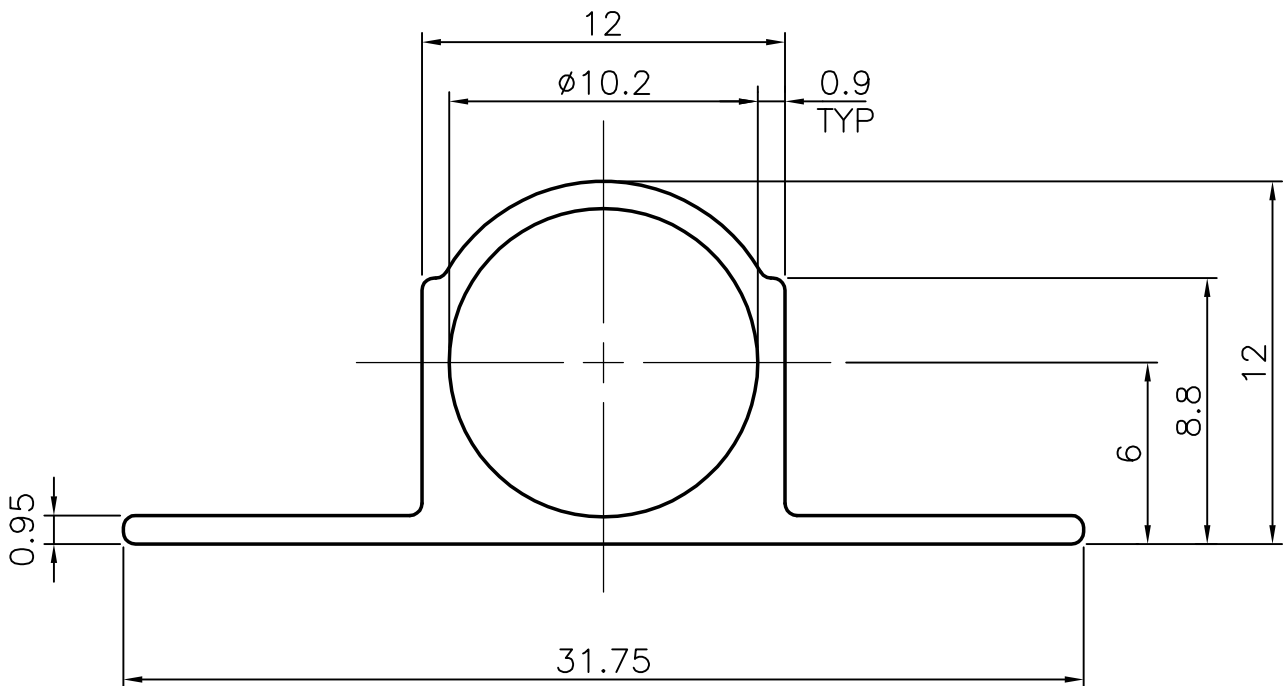


P-5339

18059



1:1



AVERAGE WEIGHT:- 0.658 kg/ 3658 mm.



SYMBOL OF QUALITY  
AN ISO 9002 COMPANY

**JINDAL ALUMINIUM LTD.**  
BANGALORE-560073 (INDIA)

	NAME	DATE
DRAWN	MALINGAPPA	25.02.2005
CHECKED		
APPROVED		
SCALE		1:1
AREA mm <sup>2</sup>		66.742
PERIMETER mm.		82.045
WEIGHT kg/m		0.180
DRAWING No.	SECTION No.	
P-5339	-	
18059	18059	

1. ALL DIMENSIONS ARE IN mm.
2. ROUND OFF ALL SHARP CORNERS WITH 0.40 mm.
3. TOLERANCES WILL BE AS PER IS: 6477-1983 UNLESS OTHERWISE SPECIFIED

PARTY'S NAME	GENERAL CATEGORY, DELHI MARKET
PARTY'S DRAWING No.	LIGHTER OF SECTION NO. 18023
ALLOY & TEMPER	HE9 WP
DESCRIPTION	TOWER BOLT