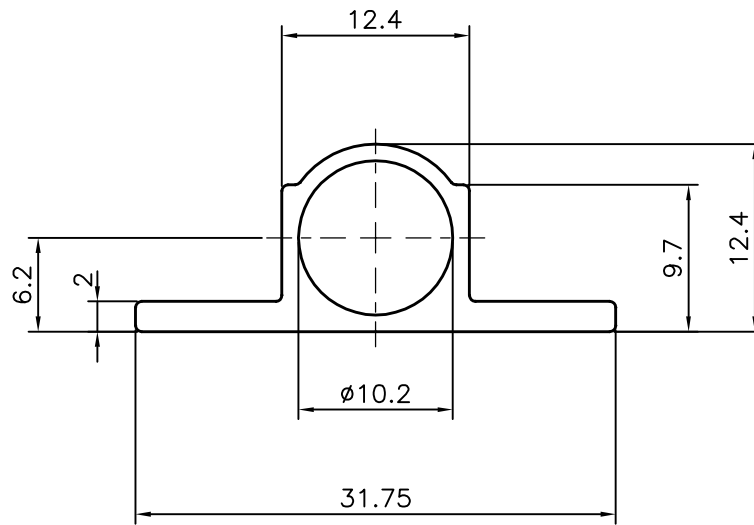
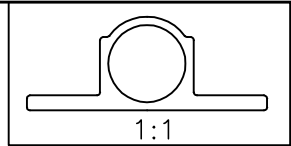


P-14038

18068



SYMBOL OF QUALITY  
AN ISO 9001 COMPANY

**JINDAL ALUMINIUM LTD.**  
BANGALORE-560073 (INDIA)

	NAME	DATE
DRAWN	J.P.KAUSHIK	11-10-2014
CHECKED		
APPROVED	S.S.CARG	04-11-2014

1. ALL DIMENSIONS ARE IN mm.
2. ROUND OFF ALL SHARP CORNERS WITH 0.40 mm.
3. TOLERANCES WILL BE AS PER IS:6477-1983, UNLESS OTHERWISE SPECIFIED

SCALE	2:1
AREA mm <sup>2</sup>	96.554
PERIMETER mm.	83.267
WEIGHT kg/m	0.261

PARTY'S NAME	GENERAL CATEGORY, BANGALORE MARKET	DRAWING No.	SECTION No.
PARTY'S DRAWING No.	HEAVIER OF 18015	P-14038	-
ALLOY & TEMPER	HE9 WP	18068	18068
DESCRIPTION	TOWER BOLT		