

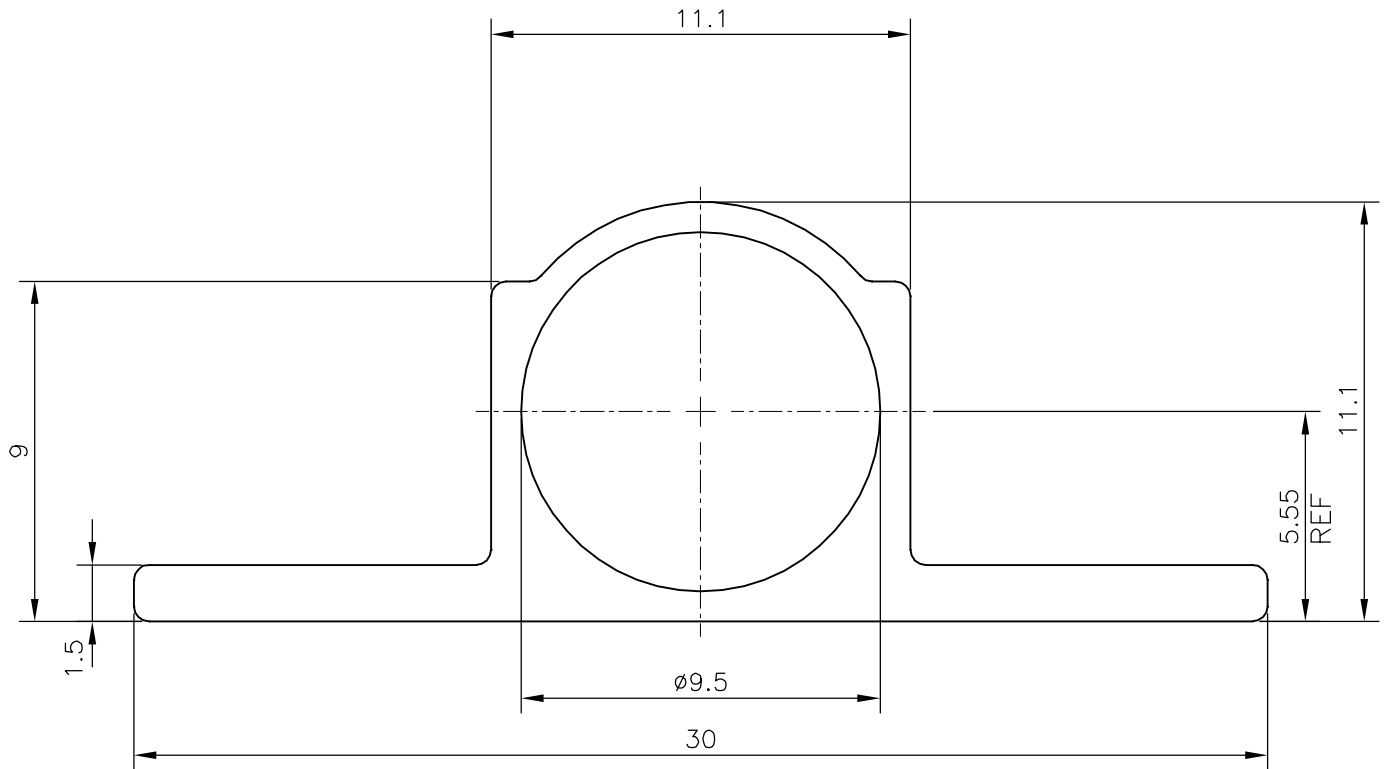
P-18309

18073

X2398

18073

1:1



NO OF PIECES IN 100 kgs:- 144 (AVERAGE)



SYMBOL OF QUALITY  
AN ISO 9001 COMPANY

**JINDAL ALUMINIUM LTD.**  
BANGALORE-560073 (INDIA)

	NAME	DATE
DRAWN	J.P.KAUSHIK	08-06-2018
CHECKED		
APPROVED	B.NATARAJA	23-06-2018
SCALE		5:1
AREA mm <sup>2</sup>		69.963
PERIMETER mm.		77.872
WEIGHT kg/m		0.189
DRAWING No.	SECTION No.	
P-18309	-	
18073	18073	
X2398	X2398	
18073	18073	

1. ALL DIMENSIONS ARE IN mm.
2. ROUND OFF ALL SHARP CORNERS WITH 0.40 mm.
3. TOLERANCES WILL BE AS PER IS:6477-1983 , UNLESS OTHERWISE SPECIFIED

PARTY'S NAME	GENERAL CATEGORY, DELHI MARKET
PARTY'S DRAWING No.	AS PER DRAWING
ALLOY & TEMPER	HE9 WP
DESCRIPTION	TOWER BOLT SECTION