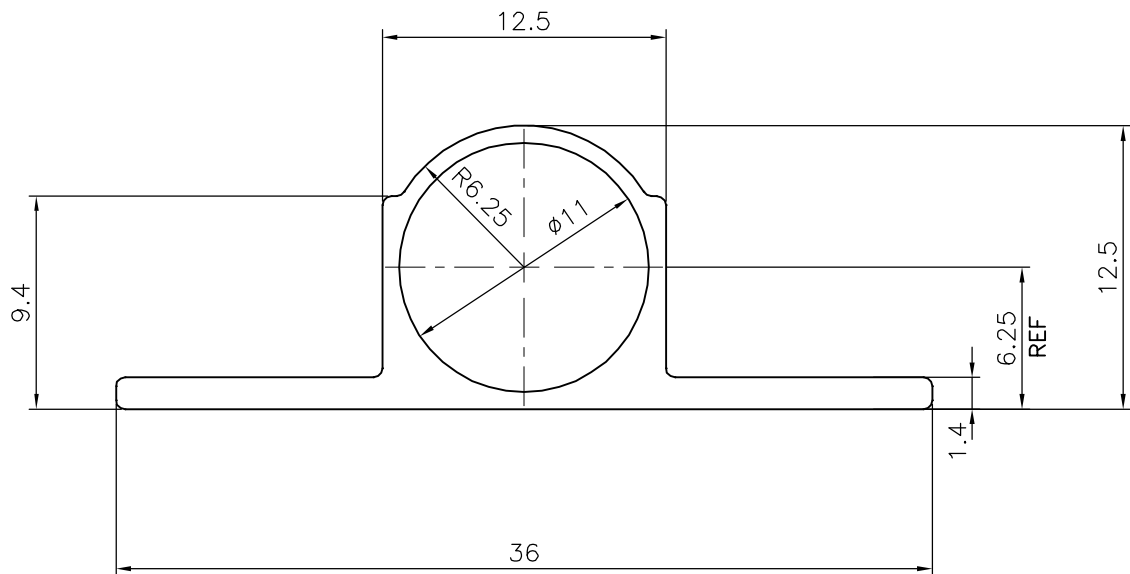
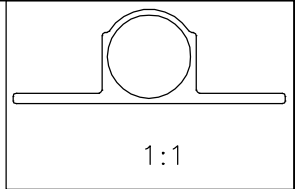


P-18496

18074



SYMBOL OF QUALITY
AN ISO 9001 COMPANY

JINDAL ALUMINIUM LTD.
BANGALORE-560073 (INDIA)

	NAME	DATE
DRAWN	J.P.KAUSHIK	28-07-2018
CHECKED		
APPROVED	B.NATARAJA	03-11-2018

1. ALL DIMENSIONS ARE IN mm.
2. ROUND OFF ALL SHARP CORNERS WITH 0.40 mm.
3. TOLERANCES WILL BE AS PER IS:6477-1983 UNLESS OTHERWISE SPECIFIED

SCALE	3:1
AREA mm ²	78.967
PERIMETER mm.	91.582
WEIGHT kg/m	0.213

PARTY'S NAME	GENERAL CATEGORY, DELHI MARKET
--------------	--------------------------------

DRAWING No.	SECTION No.
-------------	-------------

PARTY'S DRAWING No.	AS PER DRAWING
---------------------	----------------

P-18496

ALLOY & TEMPER	HE9 WP A3D
----------------	------------

18074

18074

DESCRIPTION	TOWER BOLT
-------------	------------