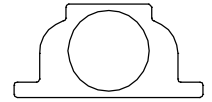


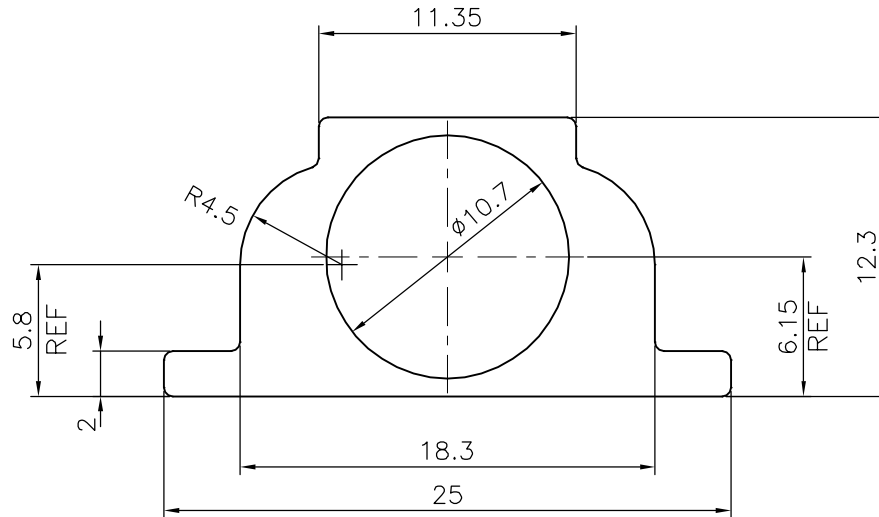
P-18481-1

X2373

18077



1:1



SYMBOL OF QUALITY
AN ISO 9001 COMPANY

JINDAL ALUMINIUM LTD.
BANGALORE-560073 (INDIA)

	NAME	DATE
DRAWN	J.P.KAUSHIK	26-07-2018
CHECKED		
APPROVED	B.NATARAJA	27-07-2018
SCALE		3:1
AREA mm ²		125.956
PERIMETER mm.		69.402
WEIGHT kg/m		0.340
DRAWING No.	SECTION No.	

1. ALL DIMENSIONS ARE IN mm.
2. ROUND OFF ALL SHARP CORNERS WITH 0.40 mm.
3. TOLERANCES WILL BE AS PER IS:6477-1983 UNLESS OTHERWISE SPECIFIED

PARTY'S NAME PREMIER SALES CORPORATION, NEW DELHI

PARTY'S DRAWING No. AS PER SAMPLE & REQUIREMENT

ALLOY & TEMPER HE9 WP A3D

DESCRIPTION TOWER BOLT SECTION

P-18481-1

X2373

18077

X2373

18077