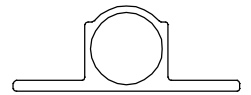


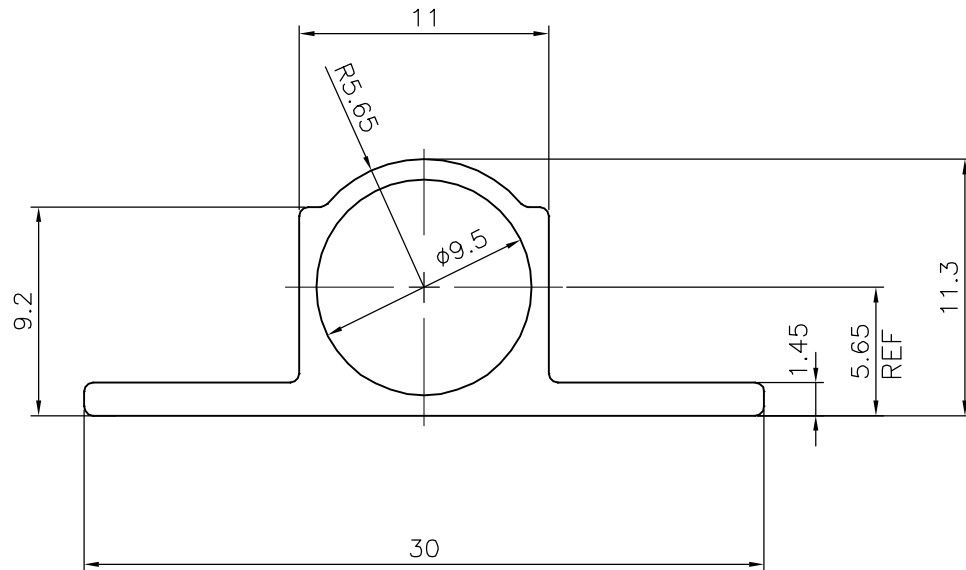
P-18552

X2383

18079



1:1



SYMBOL OF QUALITY
AN ISO 9001 COMPANY

JINDAL ALUMINIUM LTD.
BANGALORE-560073 (INDIA)

	NAME	DATE
DRAWN	J.P.KAUSHIK	09-08-2018
CHECKED		
APPROVED	B.NATARAJA	07-09-2018

1. ALL DIMENSIONS ARE IN mm.
2. ROUND OFF ALL SHARP CORNERS WITH 0.40 mm.
3. TOLERANCES WILL BE AS PER IS:6477-1983 UNLESS OTHERWISE SPECIFIED

SCALE	3:1
AREA mm ²	70.592
PERIMETER mm.	78.26
WEIGHT kg/m	0.191

PARTY'S NAME PREMIER SALES CORP., NEW DELHI

DRAWING No. SECTION No.

PARTY'S DRAWING No. AS PER SAMPLE

P-18552

ALLOY & TEMPER HE9 WP A3D

X2383 X2383

DESCRIPTION

TOWER BOLT

18079 18079