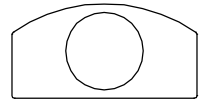


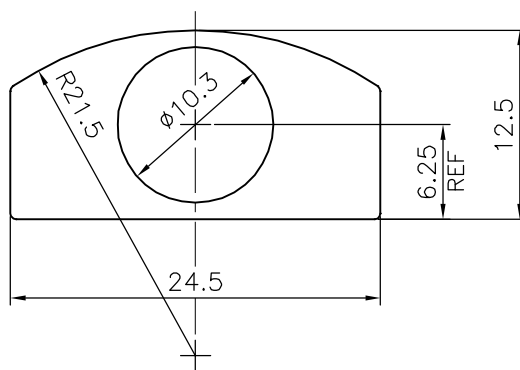
P-18513-1

X2387

18080



1:1



SYMBOL OF QUALITY
AN ISO 9001 COMPANY

JINDAL ALUMINIUM LTD.
BANGALORE-560073 (INDIA)

	NAME	DATE
DRAWN	J.P.KAUSHIK	22-09-2018
CHECKED		
APPROVED	B.NATARAJA	22-09-2018
SCALE		2:1
AREA mm ²		192.765
PERIMETER mm.		67.495
WEIGHT kg/m		0.520
DRAWING No.	SECTION No.	
P-18513-1		
X2387	X2387	
18080	18080	

1. ALL DIMENSIONS ARE IN mm.
2. ROUND OFF ALL SHARP CORNERS WITH 0.40 mm.
3. TOLERANCES WILL BE AS PER IS:6477-1983 UNLESS OTHERWISE SPECIFIED

PARTY'S NAME	PREMIER SALES CORP., NEW DELHI
PARTY'S DRAWING No.	AS PER SAMPLE & REQUIREMENT
ALLOY & TEMPER	HE9 WP A3D
DESCRIPTION	TOWER BOLT