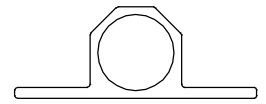


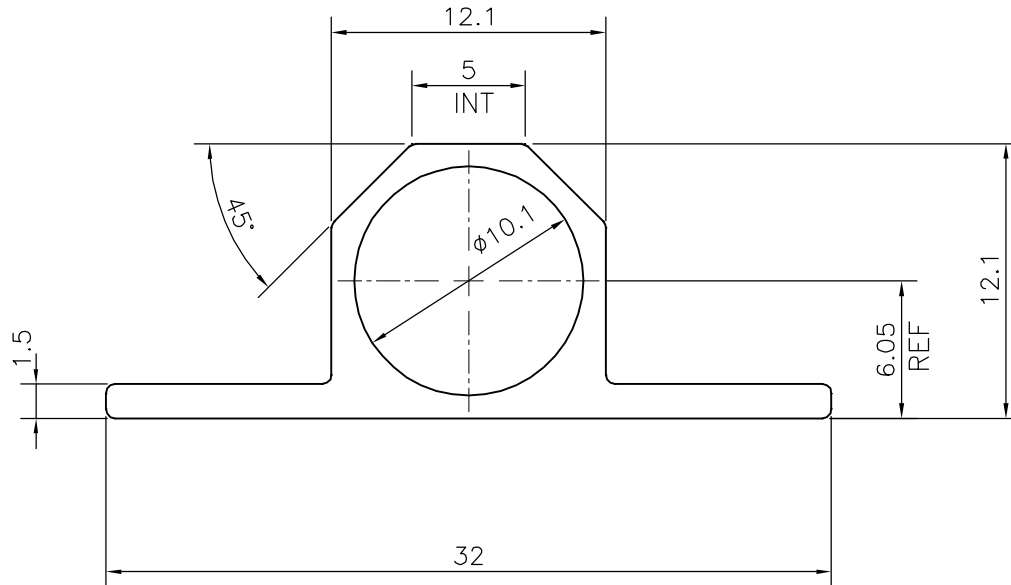
P-18729-1

X2406

18081



1:1



## TOLERANCES ON OVERALL WIDTHS &amp; WIDTHS ACROSS FLATS OF BARS, &amp; REGULAR SECTIONS

UPTO 6.40mm - ±0.20	UPTO 32.0mm - ±0.38	UPTO 120.0mm - ±0.85	UPTO 320.00mm - ±1.70
UPTO 10.0mm - ±0.23	UPTO 50.0mm - ±0.46	UPTO 160.0mm - ±1.02	
UPTO 12.0mm - ±0.25	UPTO 60.0mm - ±0.53	UPTO 200.0mm - ±1.14	
UPTO 16.0mm - ±0.28	UPTO 80.0mm - ±0.69	UPTO 250.0mm - ±1.40	
UPTO 25.0mm - ±0.30	UPTO 100.0mm - ±0.75	UPTO 300.0mm - ±1.65	



SYMBOL OF QUALITY  
AN ISO 9001 COMPANY

**JINDAL ALUMINIUM LTD.**  
BANGALORE-560073 (INDIA)

	NAME	DATE
DRAWN	J.P.KAUSHIK	12-10-2018
CHECKED		
APPROVED	B.NATARAJA	17-10-2018

1. ALL DIMENSIONS ARE IN mm.
2. ROUND OFF ALL SHARP CORNERS WITH 0.40 mm.
3. TOLERANCES WILL BE AS PER IS:6477-1983 , UNLESS OTHERWISE SPECIFIED

SCALE	3:1
AREA mm <sup>2</sup>	83.457
PERIMETER mm.	82.942
WEIGHT kg/m	0.225

PARTY'S NAME	PREMIER SALES CORP., NEW DELHI
--------------	--------------------------------

PARTY'S DRAWING No.	AS PER SAMPLE
---------------------	---------------

ALLOY & TEMPER	6063 T6
----------------	---------

DESCRIPTION	TOWER BOLT
-------------	------------

DRAWING No.	SECTION No.
P-18729-1	-
X2406	X2406
18081	18081