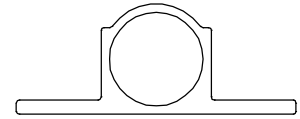


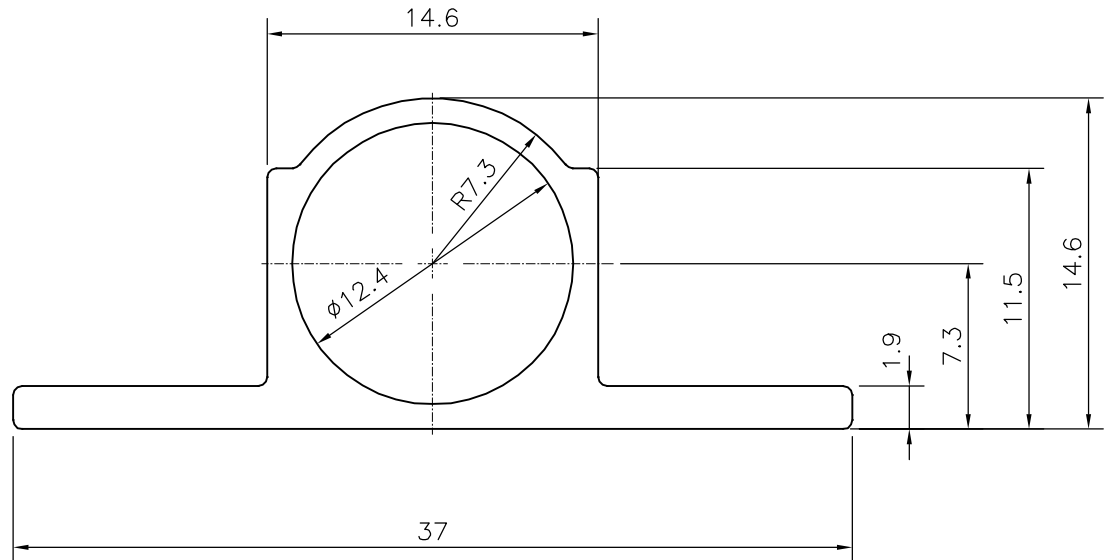
P-18823

X2460

18085



1:1



SYMBOL OF QUALITY  
AN ISO 9001 COMPANY

**JINDAL ALUMINIUM LTD.**  
BANGALORE-560073 (INDIA)

	NAME	DATE
DRAWN	DARPAN	03-11-2018
CHECKED		
APPROVED	B.NATARAJA	28-12-2018
SCALE		3:1
AREA mm <sup>2</sup>		115.535
PERIMETER mm.		97.607
WEIGHT kg/m		0.312
DRAWING No.	SECTION No.	
P-18823	-	
X2460	X2460	
18085	18085	

1. ALL DIMENSIONS ARE IN mm.
2. ROUND OFF ALL SHARP CORNERS WITH 0.40 mm.
3. TOLERANCES WILL BE AS PER IS:6477-1983 , UNLESS OTHERWISE SPECIFIED

PARTY'S NAME ALUMINIUM TRADING COMPANY. DELHI

PARTY'S DRAWING No. AS PER DRAWING

ALLOY & TEMPER HE9 WP A3D

DESCRIPTION TOWER BOLT SECTION