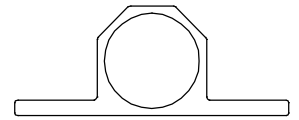


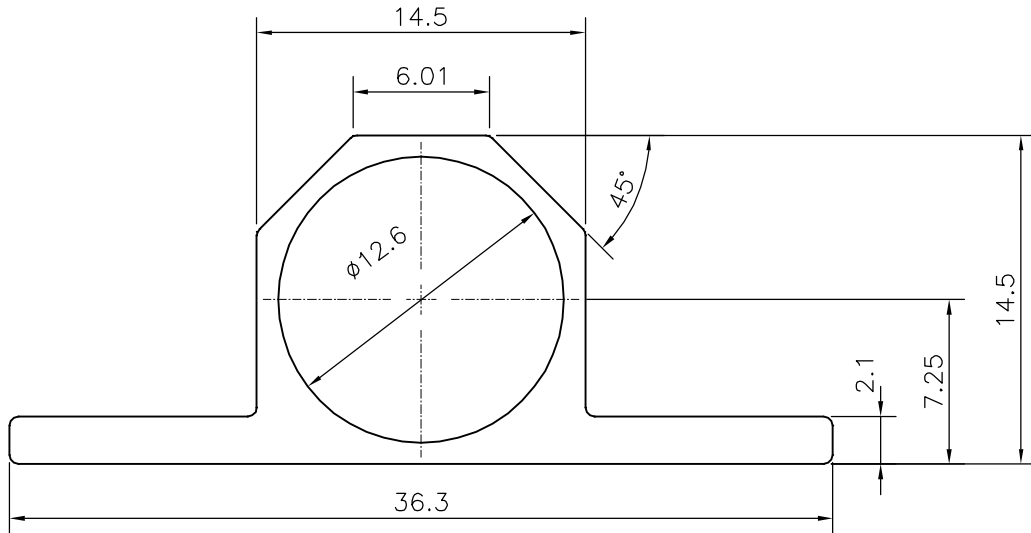
P-18825-1

X2461

18086



1:1



SYMBOL OF QUALITY  
AN ISO 9001 COMPANY

**JINDAL ALUMINIUM LTD.**  
BANGALORE-560073 (INDIA)

	NAME	DATE
DRAWN	DARPAN	12-11-2018
CHECKED		
APPROVED	B.NATARAJA	28-12-2018
SCALE		3:1
AREA mm <sup>2</sup>		113.221
PERIMETER mm.		95.525
WEIGHT kg/m		0.306
DRAWING No.	SECTION No.	
P-18825-1	-	
X2461	X2461	
18086	18086	

1. ALL DIMENSIONS ARE IN mm.
2. ROUND OFF ALL SHARP CORNERS WITH 0.40 mm.
3. TOLERANCES WILL BE AS PER IS:6477-1983 , UNLESS OTHERWISE SPECIFIED

PARTY'S NAME	ALUMINIUM TRADING COMPANY. DELHI
PARTY'S DRAWING No.	AS PER DRAWING
ALLOY & TEMPER	HE9 WP A3D
DESCRIPTION	TOWER BOLT SECTION