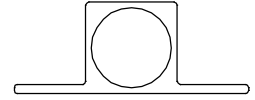


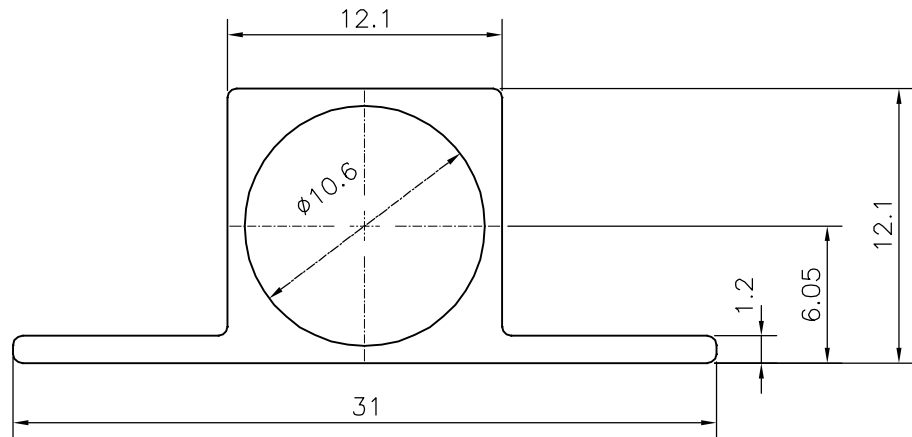
P-18826

X2462

18087



1:1



SYMBOL OF QUALITY
AN ISO 9001 COMPANY

JINDAL ALUMINIUM LTD.
BANGALORE-560073 (INDIA)

	NAME	DATE
DRAWN	DARPAN	03-11-2018
CHECKED		
APPROVED	B.NATARAJA	28-12-2018
SCALE		3:1
AREA mm ²		80.705
PERIMETER mm.		84.827
WEIGHT kg/m		0.218
DRAWING No.	SECTION No.	
P-18826	-	
X2462	X2462	
18087	18087	

1. ALL DIMENSIONS ARE IN mm.
2. ROUND OFF ALL SHARP CORNERS WITH 0.40 mm.
3. TOLERANCES WILL BE AS PER IS:6477-1983 , UNLESS OTHERWISE SPECIFIED

PARTY'S NAME ALUMINIUM TRADING COMPANY. DELHI

PARTY'S DRAWING No. AS PER DRAWING

ALLOY & TEMPER HE9 WP A3D

DESCRIPTION TOWER BOLT SECTION