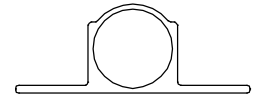


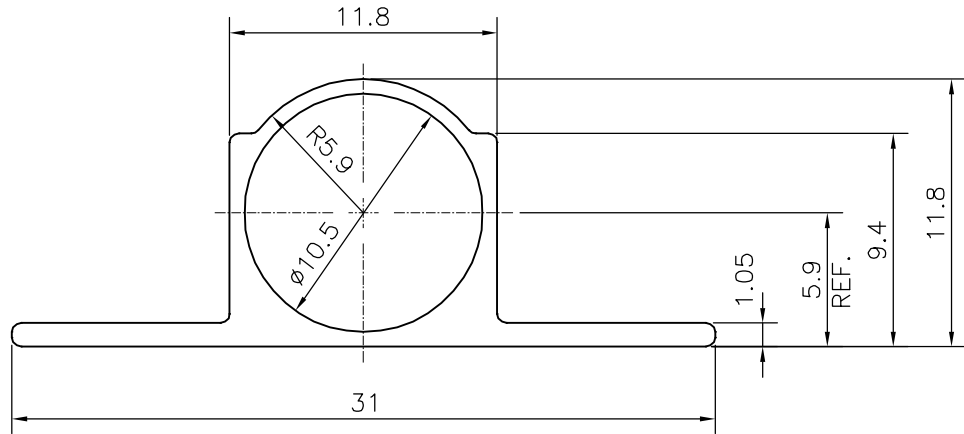
P-18824-2

X2472

18088



1:1



SYMBOL OF QUALITY  
AN ISO 9001 COMPANY

**JINDAL ALUMINIUM LTD.**  
BANGALORE-560073 (INDIA)

	NAME	DATE
DRAWN	DARPAN	07-01-2019
CHECKED		
APPROVED	B.NATARAJA	18-01-2019
SCALE		3:1
AREA mm <sup>2</sup>		60.313
PERIMETER mm.		80.912
WEIGHT kg/m		0.163
DRAWING No.	SECTION No.	
P-18824-2	-	
X2472	X2472	
18088	18088	

1. ALL DIMENSIONS ARE IN mm.
2. ROUND OFF ALL SHARP CORNERS WITH 0.40 mm.
3. TOLERANCES WILL BE AS PER IS:6477-1983 , UNLESS OTHERWISE SPECIFIED

PARTY'S NAME	ALUMINIUM TRADING COMPANY, DELHI
PARTY'S DRAWING No.	AS PER DRAWING & REQUIREMENT
ALLOY & TEMPER	HE9 WP A3D
DESCRIPTION	TOWER BOLT SECTION