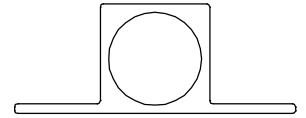


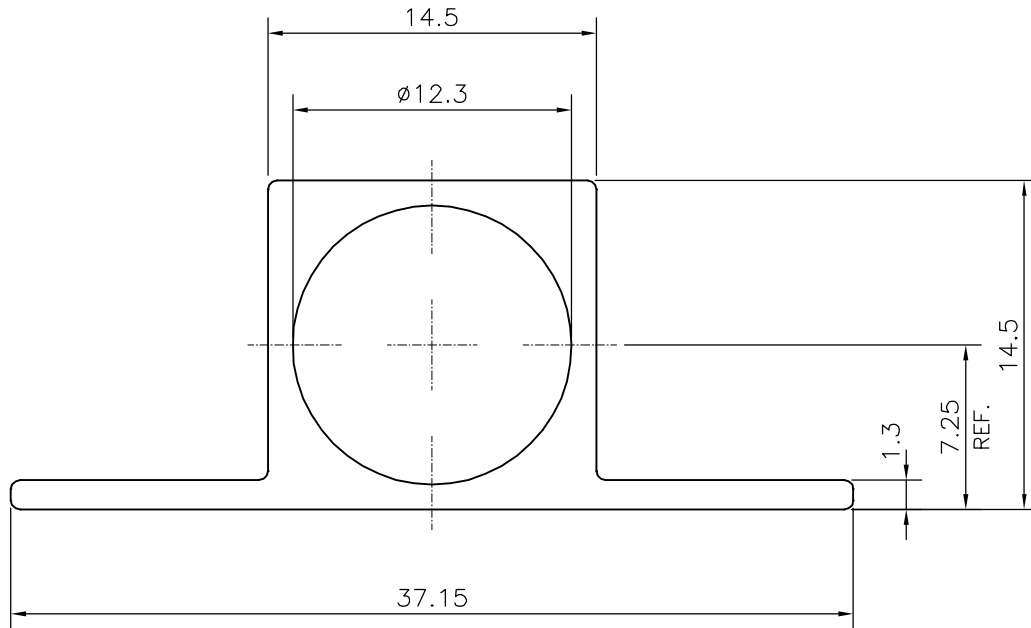
P-19065

X2473

18089



SCALE: - 1:1



SYMBOL OF QUALITY
AN ISO 9001 COMPANY

JINDAL ALUMINIUM LTD.
BANGALORE-560073 (INDIA)

	NAME	DATE
DRAWN	DARPAN	10-12-2018
CHECKED		
APPROVED	B.NATARAJA	25-01-2019
SCALE		3:1
AREA mm ²		120.735
PERIMETER mm.		101.927
WEIGHT kg/m		0.326
DRAWING No.	SECTION No.	
P-19065	-	
X2473	X2473	
18089	18089	

1. ALL DIMENSIONS ARE IN mm.
2. ROUND OFF ALL SHARP CORNERS WITH 0.40 mm.
3. TOLERANCES WILL BE AS PER IS:6477-1983 , UNLESS OTHERWISE SPECIFIED

PARTY'S NAME	PREMIER SALES CORPORATION, NEW DELHI
PARTY'S DRAWING No.	LIGHTER OF 18065
ALLOY & TEMPER	HE9 WP A3D
DESCRIPTION	TOWER BOLT SECTION