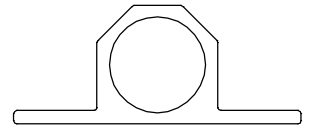
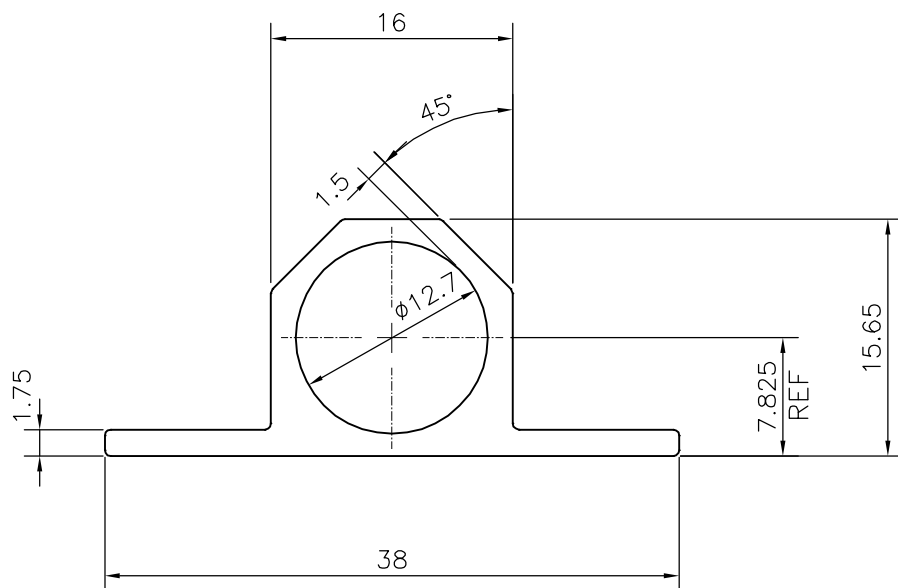


P-19871

18092



1:1



SYMBOL OF QUALITY  
AN ISO 9001 COMPANY

**JINDAL ALUMINIUM LTD.**  
BANGALORE-560073 (INDIA)

	NAME	DATE
DRAWN	J.P.KAUSHIK	19-07-2019
CHECKED		
APPROVED	B.NATARAJA	07-09-2019
SCALE		2:1
AREA mm <sup>2</sup>		139.83
PERIMETER mm.		100.667
WEIGHT kg/m		0.378
DRAWING No.	SECTION No.	
P-19871	-	
18092	18092	

1. ALL DIMENSIONS ARE IN mm.
2. ROUND OFF ALL SHARP CORNERS WITH 0.40 mm.
3. TOLERANCES WILL BE AS PER IS:6477-1983 , UNLESS OTHERWISE SPECIFIED

PARTY'S NAME	PREMIER SALES CORPORATION, NEW DELHI
PARTY'S DRAWING No.	AS PER SAMPLE
ALLOY & TEMPER	HE9 WP A3D
DESCRIPTION	TOWER BOLT