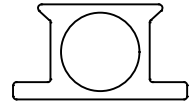
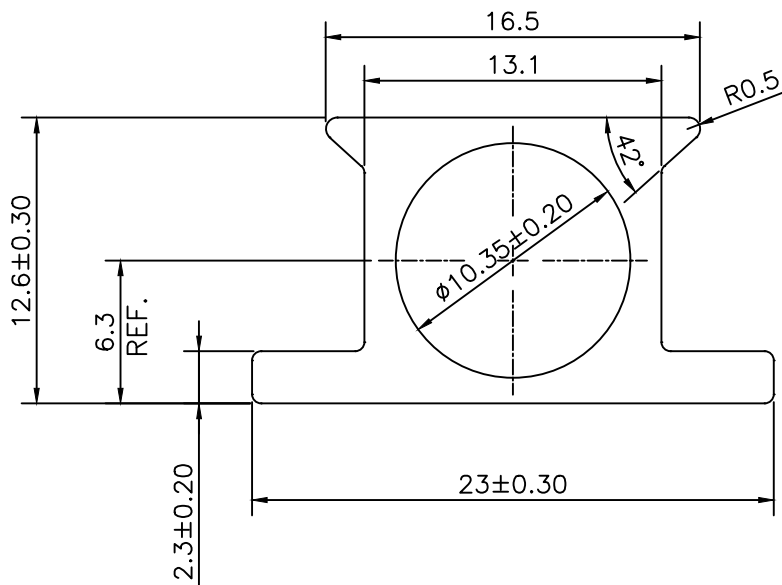


P-21753-1

18104



1:1



APPROXIMATE WEIGHT RANGE - 0.264 - 0.322 kg/m



SYMBOL OF QUALITY
AN ISO 9001 COMPANY

JINDAL ALUMINIUM LTD.
BANGALORE-560073 (INDIA)

	NAME	DATE
DRAWN	J.P.KAUSHIK	21-12-2020
CHECKED		
APPROVED	B.NATARAJA	24-12-2020

1. ALL DIMENSIONS ARE IN mm.
2. ROUND OFF ALL SHARP CORNERS WITH 0.40 mm.
3. TOLERANCES WILL BE AS PER IS:6477-1983 , UNLESS OTHERWISE SPECIFIED

SCALE	3:1
AREA mm ²	108.575
PERIMETER mm.	74.56
WEIGHT kg/m	0.293

PARTY'S NAME	IMPERIAL METAL MART, DELHI	DRAWING No.	P-21753-1	SECTION No.	-
PARTY'S DRAWING No.	AS PER SAMPLE & REQUIREMENT		18104		18104
ALLOY & TEMPER	HE9 WP A3D				
DESCRIPTION	TOWER BOLT				