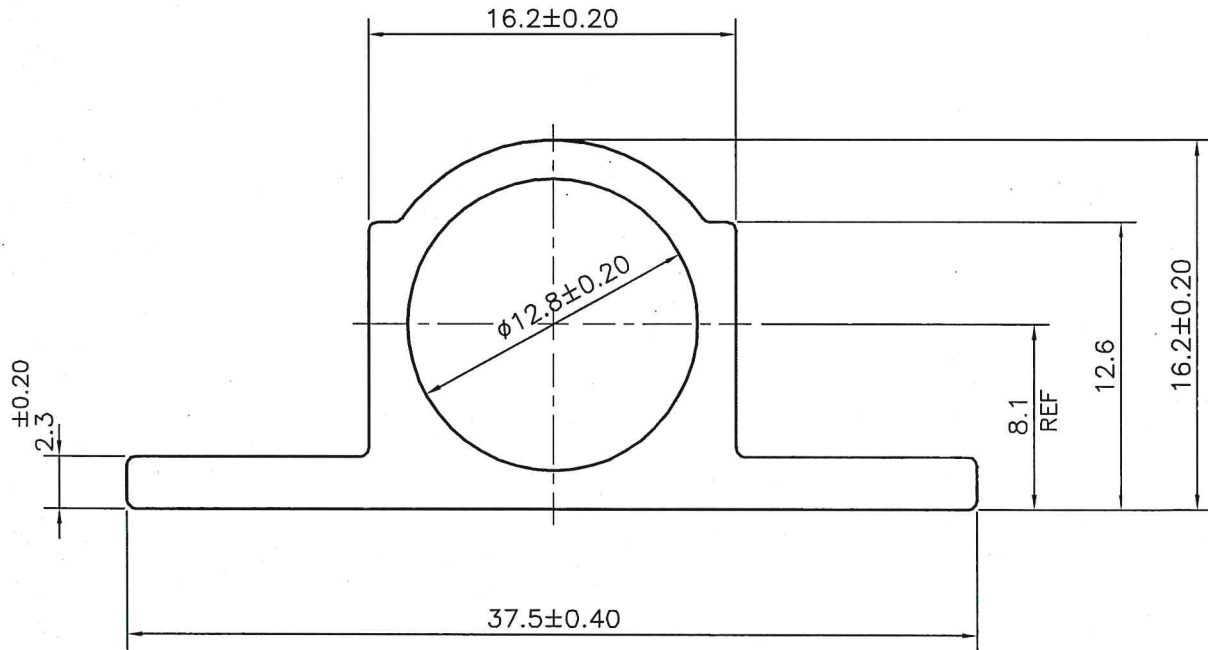
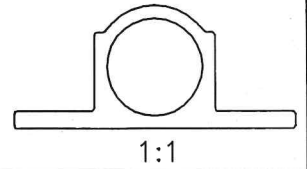


P-21986

18106



APPROXIMATE WEIGHT RANGE-0.385 - 0.471kg/m



SYMBOL OF QUALITY
AN ISO 9001 COMPANY

JINDAL ALUMINIUM LTD.
BANGALORE-560073 (INDIA)

	NAME	DATE
DRAWN	J.P.KAUSHIK	09-01-2021
CHECKED		
APPROVED	B.NATARAJA	13-01-2021
SCALE		3:1
AREA mm ²		158.412
PERIMETER mm.		101.194
WEIGHT kg/m		0.428
DRAWING No.	SECTION No.	
P-21986		
18106	18106	

1. ALL DIMENSIONS ARE IN mm.
2. ROUND OFF ALL SHARP CORNERS WITH 0.40 mm.
3. TOLERANCES WILL BE AS PER IS:6477-1983 UNLESS OTHERWISE SPECIFIED

PARTY'S NAME	ALUMINIUM TRADING COMPANY, DELHI
PARTY'S DRAWING No.	HEAVIER OF 18057
ALLOY & TEMPER	HE9 WP A3D
DESCRIPTION	TOWER BOLT