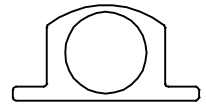


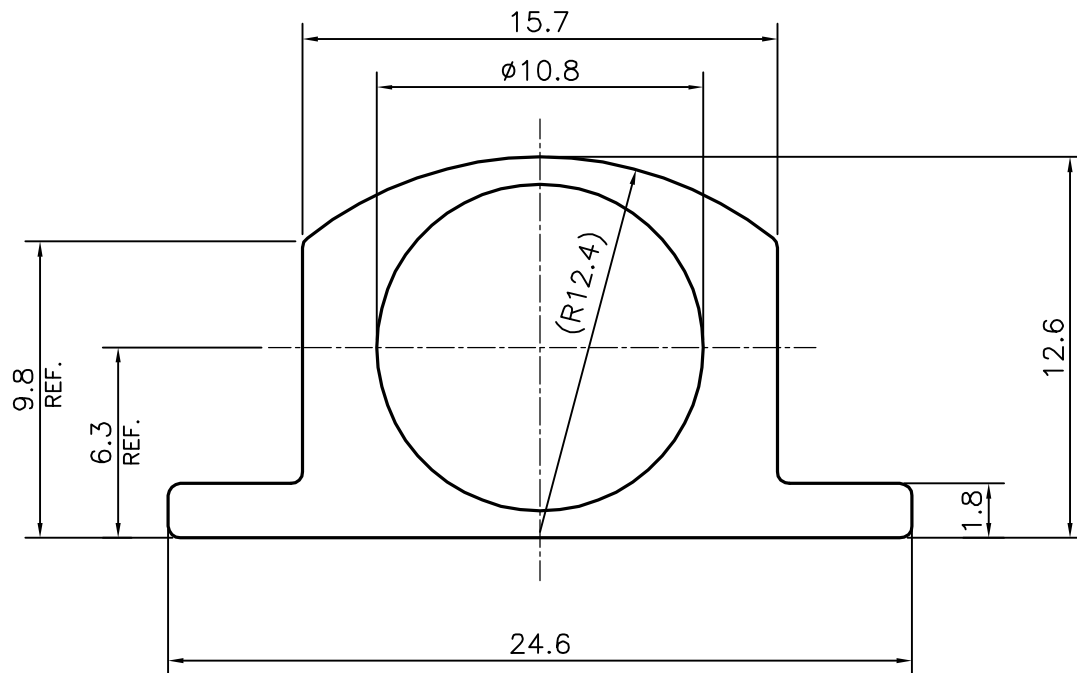
P-17994-1

X2316

18107



SCALE: - 1:1



WEIGHT PER 3658 mm. LONG PIECE :- 1.068 Kg (AVERAGE)

## TOLERANCES ON OVERALL WIDTHS &amp; WIDTHS ACROSS FLATS OF BARS, &amp; REGULAR SECTIONS

UPTO 6.40mm - ±0.20	UPTO 32.0mm - ±0.38	UPTO 120.0mm - ±0.85	1. STRAIGHTNESS=1.7mm/M 2. TWIST=1.7mm/M 3. ANGULARITY= ±2' 4. FLATNESS =0.007xWIDTH
UPTO 10.0mm - ±0.23	UPTO 50.0mm - ±0.46	UPTO 160.0mm - ±1.02	
UPTO 12.0mm - ±0.25	UPTO 60.0mm - ±0.53	UPTO 200.0mm - ±1.14	
UPTO 16.0mm - ±0.28	UPTO 80.0mm - ±0.69	UPTO 250.0mm - ±1.40	
UPTO 25.0mm - ±0.30	UPTO 100.0mm - ±0.75	UPTO 300.0mm - ±1.65	

SYMBOL OF QUALITY  
AN ISO 9001 COMPANY

**JINDAL ALUMINIUM LTD.**  
BANGALORE-560073 (INDIA)

	NAME	DATE
DRAWN	J.P.KAUSHIK	15-03-2018
CHECKED		
APPROVED	B.NATARAJA	27-03-2018

1. ALL DIMENSIONS ARE IN mm.
2. ROUND OFF ALL SHARP CORNERS WITH 0.40 mm.
3. TOLERANCES WILL BE AS PER IS:6477-1983 , UNLESS OTHERWISE SPECIFIED

SCALE	4:1
AREA mm <sup>2</sup>	108.231
PERIMETER mm.	69.018
WEIGHT kg/m	0.292

PARTY'S NAME IMPERIAL METAL MART, DELHI

PARTY'S DRAWING No. MODIFIED OF 18072

ALLOY &amp; TEMPER A3D

DESCRIPTION TOWER BOLT SECTION

DRAWING No. SECTION No.

P-17994-1 -

X2316

18107

X2316

18107