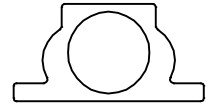


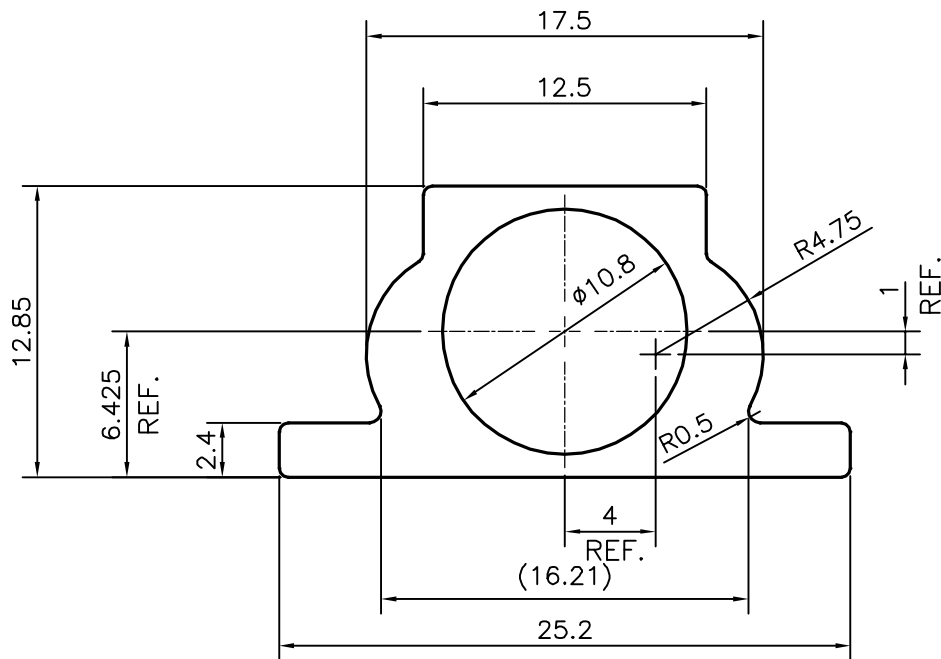
P-18027-1

X2318

18109



1:1



WEIGHT PER 3658 mm. LONG PIECE :- 1.262 kg (AVERAGE)  $\pm 5\%$



SYMBOL OF QUALITY  
AN ISO 9001 COMPANY

**JINDAL ALUMINIUM LTD.**  
BANGALORE-560073 (INDIA)

	NAME	DATE
DRAWN	J.P.KAUSHIK	24-03-2018
CHECKED		
APPROVED	B.NATARAJA	27-03-2018
SCALE		3:1
AREA mm <sup>2</sup>		127.617
PERIMETER mm.		72.933
WEIGHT kg/m		0.345
DRAWING No.	SECTION No.	
P-18027-1	-	
X2318	X2318	
18109	18109	

1. ALL DIMENSIONS ARE IN mm.
2. ROUND OFF ALL SHARP CORNERS WITH 0.40 mm.
3. TOLERANCES WILL BE AS PER IS:6477-1983 , UNLESS OTHERWISE SPECIFIED

PARTY'S NAME	IMPERIAL METAL MART, DELHI
PARTY'S DRAWING No.	AS PER SAMPLE & REQUIREMENT
ALLOY & TEMPER	A3D
DESCRIPTION	TOWER BOLT